

6720805338-00.1V

7 736 503 876

7 736 503 877

[en]	2
[fi]	16
[fr]	31
[es]	46
[pt]	60


Table of Contents

1	Explanation of symbols and safety instructions	3
1.1	Key to symbols	3
1.2	Safety instructions	3
2	Product information	4
2.1	Determined use	4
2.2	Scope of delivery	4
3	Installation	4
3.1	Securing the terminal box on the heat pump	4
3.2	Connecting the communication cable to the appliance	5
3.3	Connections for the temperature sensor in the terminal box	5
3.4	"Heat pump – solar system" connections	6
3.5	"Heat pump – floor standing boiler" connections	7
3.6	"Heat pump – photovoltaic system" connections	8
4	Programming	9
4.1	Direct auxiliary system – solar or floor standing boiler	9
4.1.1	Defining the auxiliary system	10
4.1.2	Setting the operating parameters for the auxiliary system	10
4.2	Photovoltaic system	11
4.2.1	Activate the photovoltaic auxiliary system	11
4.2.2	Setting the operating parameters for the auxiliary system	12
5	Display	14
5.1	Faults shown on the display	14
6	Temperature properties of the sensor NTC 10K	14
7	Environmental protection and disposal	15

1 Explanation of symbols and safety instructions

1.1 Key to symbols

Warnings

	<p>Warnings in this document are identified by a warning triangle printed against a grey background.</p> <p>Keywords at the start of a warning indicate the type and seriousness of the ensuing risk if measures to prevent the risk are not taken.</p>
--	---

The following keywords are defined and can be used in this document:

- **NOTICE** indicates a situation that could result in damage to property or equipment.
- **CAUTION** indicates a situation that could result in minor to medium injury.
- **WARNING** indicates a situation that could result in severe injury or death.
- **DANGER** indicates a situation that will result in severe injury or death.

Important information



This symbol indicates important information where there is no risk to people or property.

Additional symbols

Symbol	Meaning
▶	Action step
→	Cross-reference to another part of the document
•	List/list entry
–	List/list entry (second level)

Table 1

1.2 Safety instructions

Installation and commissioning

- ▶ Observe technical documentation for the appliance and accessories to ensure the equipment functions correctly.
- ▶ The appliance must only be installed by an authorised contractor.

Risk to life from electric current!

- ▶ Ensure that any electrical work is only carried out by an approved contractor.
- ▶ Observe the relevant requirements when working on electrical installations.

Information for the customer

- ▶ The installer must explain to customers how the system works and how to operate it.
- ▶ Inform the customer that maintenance or alterations to the appliance may only be carried out by a certified contractor.

Replacement parts

- ▶ Use only original spare parts.

Safety of electrical devices for domestic use and similar purposes

The following requirements apply in accordance with EN 60335-1 in order to prevent hazards from occurring when using electrical appliances:

“This appliance can be used by children of 8 years and older, as well as by people with reduced physical, sensory or mental capabilities or lacking in experience and knowledge, if they are supervised and have been given instruction in the safe use of the appliance and understand the resulting dangers. Children shall not play with the appliance. Cleaning and user maintenance shall not be made by children without supervision.”

“If the power cable is damaged, it must be replaced by the manufacturer, its customer service department or a similarly qualified person, so that risks are avoided.”

2 Product information

2.1 Determined use

These accessories make it possible to integrate auxiliary systems for DHW heating and select the most efficient and cost-effective source of energy for the system in each case.

Accessories can be used for a direct energy source, e.g. solar heat, floor standing boilers etc. and an indirect energy source like photovoltaic.

- ▶ Use the appliance for its intended purpose.
- ▶ Observe all national regulations and standards during installation and operation.

2.2 Scope of delivery

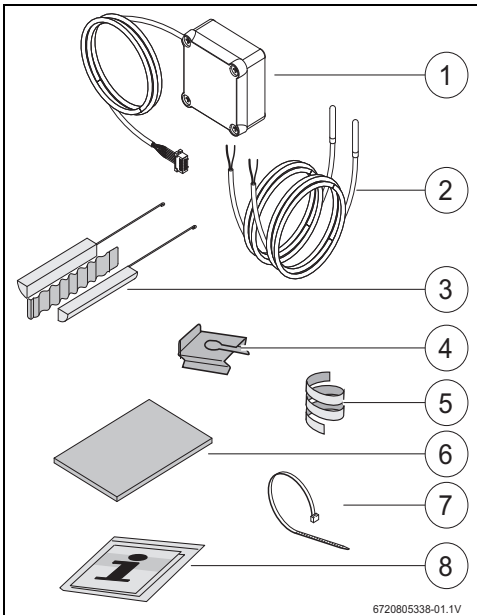


Fig. 1 7736503876: Items 1 and 8
7736503877: Items 1 to 8

- [1] Terminal box and communication cable for heat pump
- [2] Temperature sensor NTC (2x)
- [3] Installation set for temperature sensor NTC
- [4] Fastening clip
- [5] Plastic spiral (for fastening temperature sensor NTC)
- [6] Thermal insulation
- [7] Cable tie (3x)
- [8] Technical documentation

3 Installation



Only an approved contractor who has been authorised by the manufacturer may install the appliance, establish the electrical connections, install extract air and air supply systems, and commission the equipment.



DANGER: Risk of electric shock!

- ▶ Isolate the appliance from the power supply using the fuse, disconnector or another electrical protection device before carrying out any work on electrical parts.



DANGER: Electric shock!

The electrical capacitor must discharge after the appliance has been switched off.

- ▶ Wait at least 5 minutes.



DANGER: Risk of electric shock!

To ensure compliance with all safety requirements, defective power cables may only be replaced by an approved contractor.

3.1 Securing the terminal box on the heat pump

- ▶ Using the adhesive tape supplied, secure the terminal box between the labels and the water connections. The communication cable must be facing up.

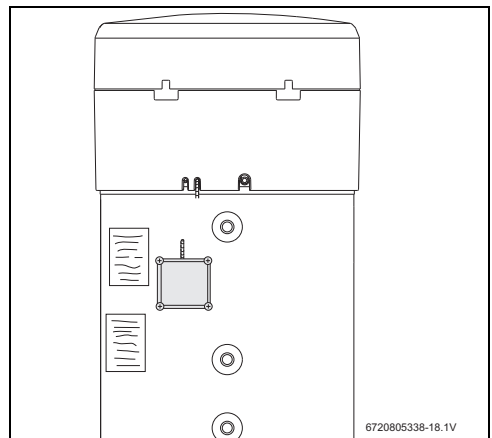


Fig. 2

3.2 Connecting the communication cable to the appliance

- ▶ Remove the top cover and the bottom ring of the appliance.
- ▶ Lay the communication cable in the groove next to the power cable of the appliance.
- ▶ Secure the entire length of the cable in the groove.

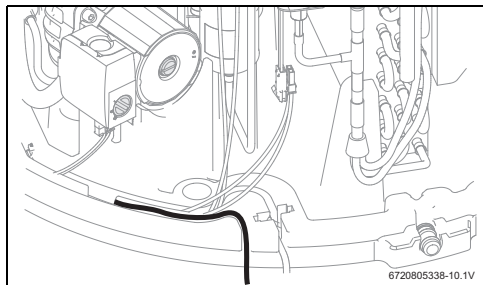


Fig. 3

- ▶ Connect the communication cable to the control unit of the appliance.

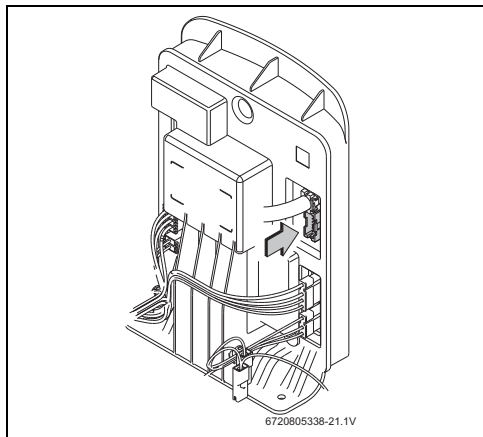


Fig. 4

3.3 Connections for the temperature sensor in the terminal box

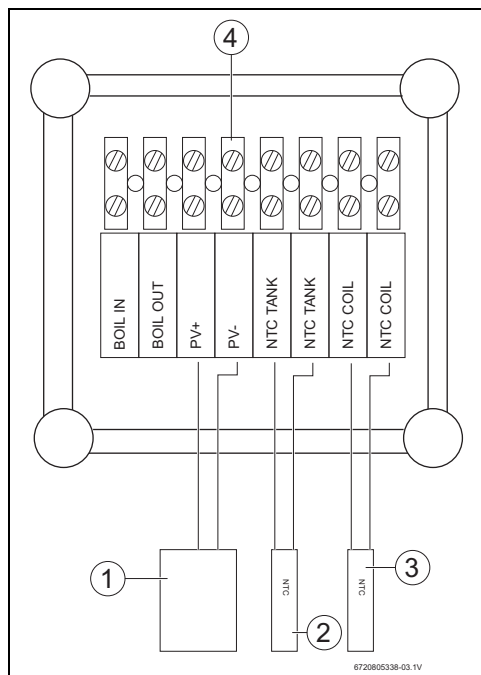


Fig. 5

- [1] ON/OFF for solar inverter
- [2] Temperature sensor NTC (sensor pocket in the middle of the cylinder)
- [3] Temperature sensor NTC (the auxiliary system's coil inlet)
- [4] Terminal strip in the terminal box

3.4 "Heat pump – solar system" connections

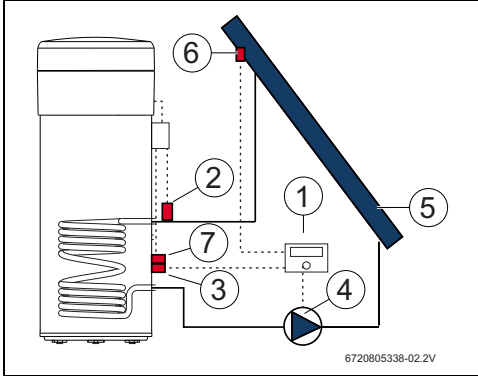


Fig. 6

- [1] Solar controller
- [2] Temperature sensor NTC (NTC COIL – coil)
- [3] Solar controller temperature sensor NTC (in the middle of the cylinder)
- [4] Pump
- [5] Solar collector
- [6] Solar collector temperature sensor NTC
- [7] Temperature sensor NTC (NTC TANK – in the middle of the cylinder)

Install the temperature sensor in the middle of the cylinder



Ensure the temperature sensor and cylinder make good contact.

- ▶ Make sure that the temperature sensor is positioned correctly in the sensor pocket so that the temperature will be measured accurately.

- ▶ Install the installation set [1], temperature sensor NTC of the accessory [2] and the temperature sensor NTC of the control unit [3] and position them as shown in Fig. 7.
- ▶ Push the temperature sensor into the sensor pocket as far as it will go.
- ▶ Fasten it using the cable tie supplied.
- ▶ Secure fastening clip [4].
- ▶ Connect the terminals of the temperature sensor NTC in the terminal box to the "NTC TANK" terminals.

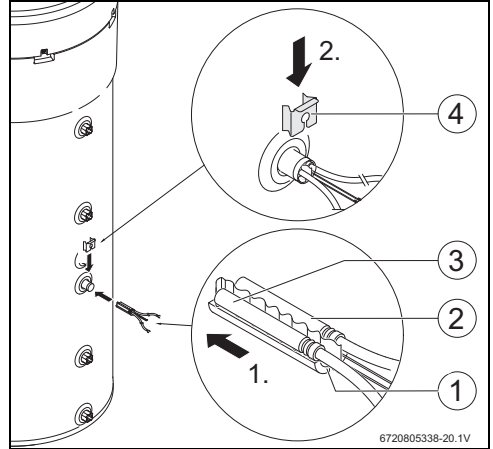


Fig. 7

Connecting coil temperature sensors



Ensure the temperature sensor and coil make good contact.

- ▶ Thermally insulate the temperature sensor so that the temperature at the coil inlet can be measured accurately.

- ▶ Position the temperature sensor NTC of the accessories [1] as shown in Fig. 8.
- ▶ Fasten the temperature sensor NTC to the water pipe using the plastic spiral [2] supplied.
- ▶ Wrap the temperature sensor in insulation [3].
- ▶ Secure the insulation using the 2 cable ties [4] supplied.
- ▶ Connect the terminals of the temperature sensor NTC in the terminal box to the "NTC COIL" terminals.

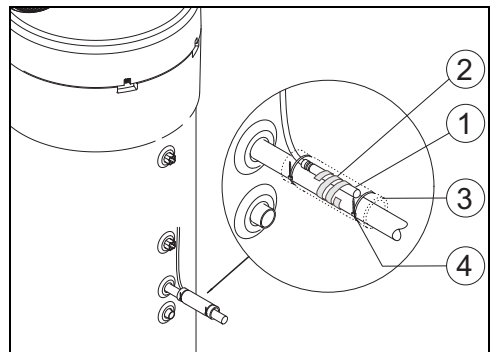


Fig. 8

3.5 "Heat pump – floor standing boiler" connections



Connection only possible for floor standing boilers which have a storage connection available.



This connection requires a 2-wire cable (not included in the standard delivery).

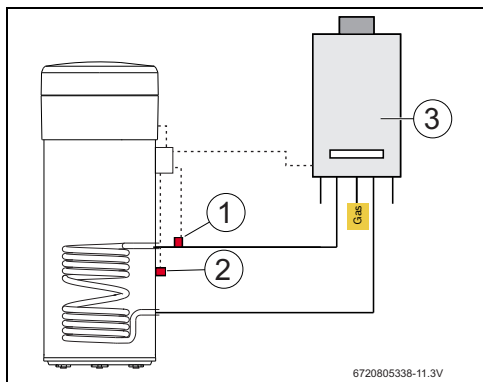


Fig. 9

- [1] Temperature sensor NTC (coil)
- [2] Temperature sensor NTC (in the middle of the cylinder)
- [3] Boiler

Boiler temperature connector NTC

- ▶ Remove the temperature sensor NTC [1] from the boiler's cylinder.
- ▶ Connect the two wires of the additional cable [2] to the cylinder connection NTC.
- ▶ Connect a free wire end of the additional cable to the terminal "BOIL OUT" of the terminal box.
- ▶ Connect the other free wire end of the additional cable to the terminal "BOIL IN" of the terminal box.

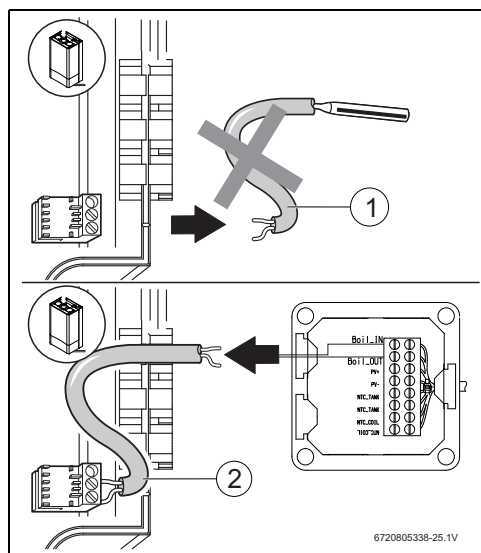


Fig. 10

Install the temperature sensor in the middle of the cylinder

- i** Ensure the temperature sensor and cylinder make good contact.
 - ▶ Make sure that the temperature sensor is positioned correctly in the sensor pocket so that the temperature will be measured accurately.

- ▶ Install the installation set [1], the temperature sensor NTC of the accessory [2] and position them as shown in Fig. 11.
- ▶ Push the temperature sensor into the sensor pocket as far as it will go.
- ▶ Fasten it using the cable tie supplied.
- ▶ Secure fastening clip [3].
- ▶ Connect the terminals of the temperature sensor NTC in the terminal box to the "NTC TANK" terminals.

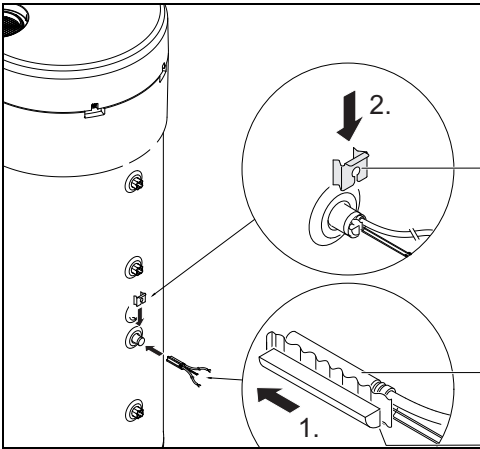


Fig. 11

Connecting coil temperature sensors

- i** Ensure the temperature sensor and coil make good contact.
 - ▶ Thermally insulate the temperature sensor so that the temperature at the coil inlet can be measured accurately.

- ▶ Position the temperature sensor NTC of the accessories [1] as shown in Fig. 12.
- ▶ Fasten the temperature sensor NTC to the water pipe using the plastic spiral [2] supplied.
- ▶ Wrap the temperature sensor in insulation [3].
- ▶ Secure the insulation using the 2 cable ties [4] supplied.

- ▶ Connect the terminals of the temperature sensor NTC in the terminal box to the "NTC COIL" terminals.

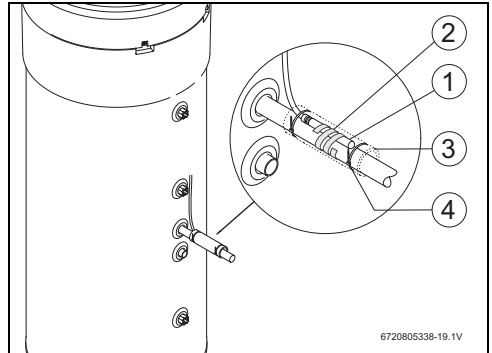


Fig. 12

3.6 "Heat pump – photovoltaic system" connections

- ▶ Connect one cable to connection "PV+" in the terminal box.
- ▶ Connect one cable to connection "PV-" in the terminal box.

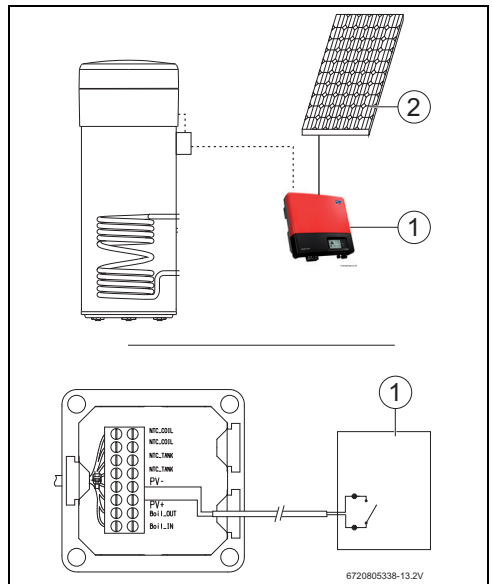


Fig. 13

- [1] Inverter
- [2] Photovoltaic module

4 Programming



Observe the heat pump documentation.

Entries in the "Set" menu – Settings

- ▶ Press and hold the "Menu" button for no longer than 3 seconds.

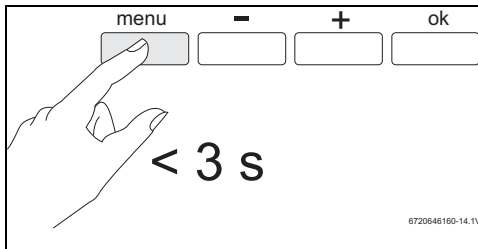


Fig. 14

- ▶ Call up the "Set" menu using the "+" or "-" button.

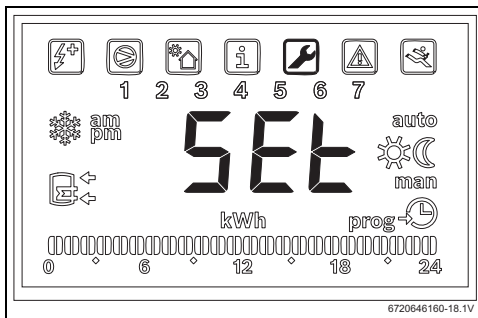


Fig. 15

- ▶ Press "OK".
You are now in the "Set – Settings" menu.

4.1 Direct auxiliary system – solar or floor standing boiler

It is only possible to select one direct auxiliary system.

If you select two, only the one selected most recently will be active.

Auxiliary system: solar -"Sol"

When the solar auxiliary system is activated, whenever there is solar energy available the system will give priority to the solar auxiliary system instead of the heat pump and in accordance with the parameters set for the "delt" and "Tmin".

The solar heat output available is directly linked to the temperature difference between the internal indirect coil and the water in the cylinder. The higher the temperature of the internal indirect coil in relation to the water in the cylinder, the more solar thermal heating output there is available. On the other hand, the greater the heat output available, the shorter the heating time.

In this way, the "delt" parameter allows us to define the minimum available performance range, below which the user considers that the heating times are no longer acceptable and therefore the heat pump refrigeration cycle has to be used in conjunction with the solar auxiliary system.

Higher "delt" values mean that the heat pump will be activated more regularly in order to guarantee a better available performance and, as a result, faster water heating. Lower "delt" values mean that the heat pump will only start working when there is almost no available solar energy, and thereby guarantee better economy, however this could cause longer heating times.

If the temperature of the internal indirect coil is lower than the temperature of the water in the cylinder, this means that there is no available solar energy.

The "Tmin" parameter allows us to define the temperature of the water in the cylinder below which the appliance will start working (refrigeration cycle or auxiliary electric heater, depending on the conditions and the parameter setting) independently of the available solar thermal heating output (defined via the "Tmin" parameter). In other words, the "Tmin" parameter defines the temperature of the water below which the user will choose to prioritise comfort and reduced heating time over the economy obtained by using the solar auxiliary system. When there is solar thermal heating output available, the water will be heated by the solar thermal system in conjunction with the refrigeration cycle or the auxiliary electric heater.

Auxiliary system: boiler "Boil"

When the boiler is activated as the "boil" auxiliary system, whenever it is necessary to use the auxiliary electric heater the system activates the boiler, provided there is available heat output.

Similarly to the solar auxiliary system, the "delt" parameter allows us to define the minimum available performance range below which the user considers that the heating times are no longer acceptable and therefore the auxiliary electric heater must be used in conjunction with the boiler.

Higher "delt" values mean that the auxiliary electric heater will be activated more regularly in order to guarantee a better available performance and, as a result, faster water heating. Lower "delt" values mean that the auxiliary electric heater will

only start working when the boiler has almost no available heat output, which could cause longer heating times.

Also similarly to the solar auxiliary system, when the boiler is the chosen auxiliary system, the "Tmin" parameter defines the temperature of the water in the cylinder below which the appliance will start working (refrigeration cycle or auxiliary electric heater, depending on the conditions and the parameter setting) independently of the available boiler heat output (defined via the "Tmin" parameter"). Once the boiler has replaced the auxiliary electric heater, the Tmin will only have a practical effect when there are conditions for electric heater operation (for example: "Elec" mode, water temperature above 60°C, etc.). In these situations, when the water temperature goes below the "Tmin", and provided there is available heat output from the boiler, the electric heater works in conjunction with the boiler.

4.1.1 Defining the auxiliary system

- ▶ Call up the "Coil" menu using the "+" or "-" button.

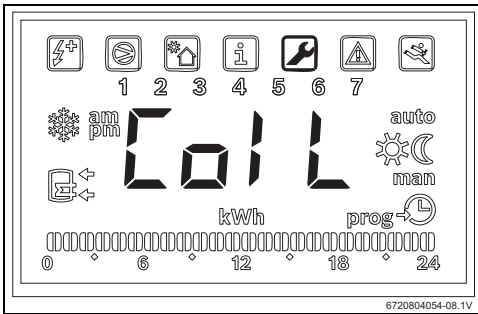


Fig. 16

- ▶ Press "OK".
The display shows "Product Type".
In this menu you can select a direct auxiliary system (solar system or floor standing boiler) and set the operating parameters.

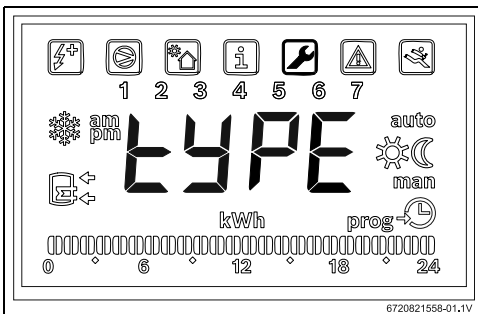


Fig. 17

- ▶ Press "OK".
- ▶ Use the "+" or "-" keys and select "OFF", "Sol" or "Boil", according to which type and whether an auxiliary system is being used or not:
 - solar "Sol"
 - boiler "Boil"
- ▶ Press "OK".
Auxiliary system selected.

4.1.2 Setting the operating parameters for the auxiliary system

"delt" - Setting for temperature differential at which the heat pump (sol system) or the electric heater (boil system) is switched on

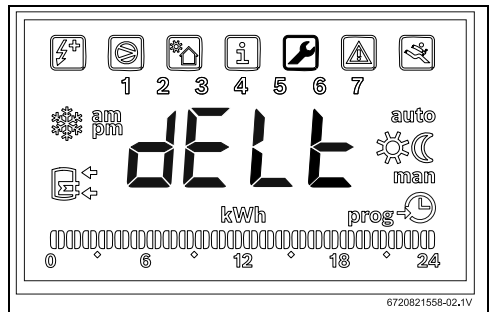


Fig. 18

This parameter defines the temperature differential between the temperature measured in the cylinder and the temperature at the coil inlet at which the heat pump or the electric heater starts ($T = T_{cylinder} - T_{pipe}$).
The value can be set between 2 and 10 °C (the default setting is 6 °C).

- ▶ Access the "Coil" menu.
- ▶ Press "ok".
- ▶ Use the "+" or "-" keys and select "delt".
- ▶ Press "OK".
- ▶ Set the value using the "+" and "-" buttons.
- ▶ Press "OK".
The desired value is now set.

"tMin" - Setting the lower limit of the water temperature in the cylinder at which the heat pump starts

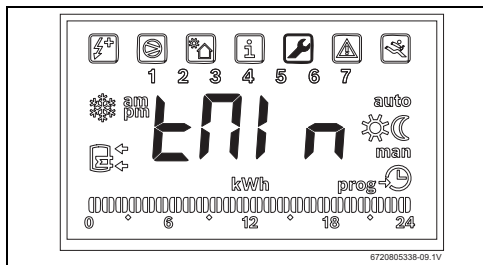


Fig. 19

This parameter defines the temperature of the water in the cylinder below which the heat pump is activated, when the solar auxiliary system is selected.

The value can be between 20 and "T_{set} - 3 °C" (the default setting is 35 °C).

- ▶ Access the "Coil" menu.
- ▶ Press "ok".
- ▶ Use the "+" or "-" keys and select "tmin".
- ▶ Press "OK".
- ▶ Set the value using the "+" and "-" buttons.
- ▶ Press "OK".
The desired value is now set.



When the device detects that an auxiliary system is operating (solar system, boiler or photovoltaic system) "Syst" flashes on the display.

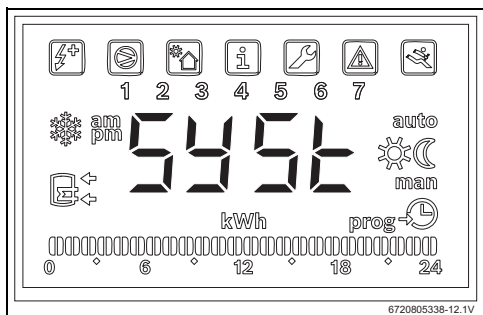


Fig. 20 Auxiliary system activated

4.2 Photovoltaic system

This function allows you to maximise electrical energy saving by taking advantage of the energy produced by photovoltaic panels whenever it is available. For this, the appliance allows

you to extend operation conditions in line with the "tMA" parameter whenever there is available photovoltaic energy.

4.2.1 Activate the photovoltaic auxiliary system

- ▶ Call up the "PHot" menu using the "+" or "-" button.

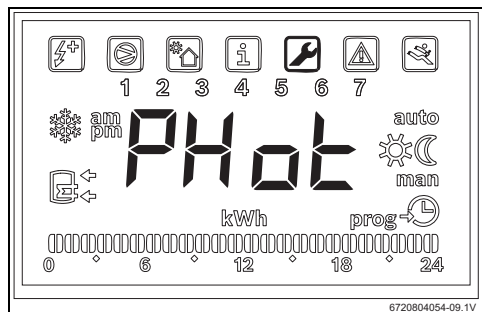


Fig. 21

- ▶ Press "OK".
The display shows "Stat".



Fig. 22

- ▶ Press "OK".
- ▶ Use the "+" or "-" keys and select
 - "ON": activate the photovoltaic system
 - "OFF": deactivate the photovoltaic system
- ▶ Press "OK".
The desired value is now set.

4.2.2 Setting the operating parameters for the auxiliary system

"Cont" – Setting the inverter type for the auxiliary system

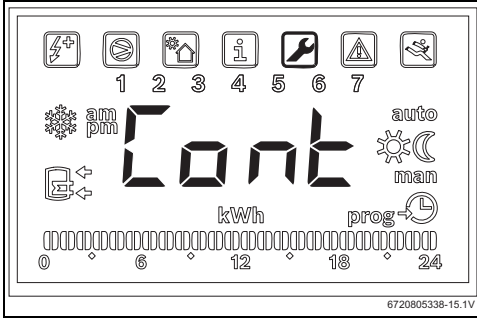


Fig. 23

This parameter sets the inverter type of the auxiliary system.

- ▶ Access the **"Phot"** menu.
- ▶ Press "ok".
- ▶ Use the "+" or "-" keys and select **"Cont"**.
- ▶ Press "OK".
- ▶ Depending on the inverter type, use the "+" or "-" buttons to select **"NO"** or **"NC"**.
 - **"NO"**: Inverter with normally open contacts
 - **"NC"**: Inverter with normally closed contacts
- ▶ Press "OK".
Inverter type is set.
Display shows **"tMin"**.

"Prio" - To set the priority in relation to the heat pump auxiliary system when there is available photovoltaic energy

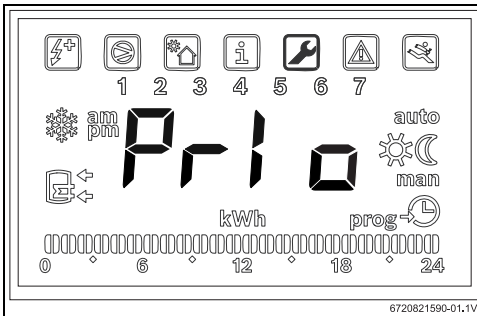


Fig. 24 Submenu "Prio"

This parameter allows us to select which heat pump auxiliary system has priority when there is photovoltaic energy

production and the air and water temperature are not appropriate for the refrigeration cycle.

- ▶ Access the **"Phot"** menu.
- ▶ Press "ok".
- ▶ Use the "+" or "-" keys and select **"Prio"**.
- ▶ Press "ok".
- ▶ Use the "+" or "-" keys and select **"P e"** or **"P b"**.
 - **"P e"**: priority given to the electric heater as the heat pump auxiliary system when there is available photovoltaic energy.
 - **"P b"**: priority given to the boiler as the heat pump auxiliary system even when there is available photovoltaic energy.
- ▶ Press "ok".
The priority system is now defined.



Before giving priority to the electric heater, guarantee that there is sufficient installed photovoltaic output to supply the electric heater. Check the rated output of the auxiliary heater on the appliance specification plate and consider a value at least 10% higher (typical tolerance). Pay attention to the efficiency of the photovoltaic installation in different conditions and as it ages with time.

"tMin" - Setting the lower limit of the water temperature in the cylinder at which the heat pump starts

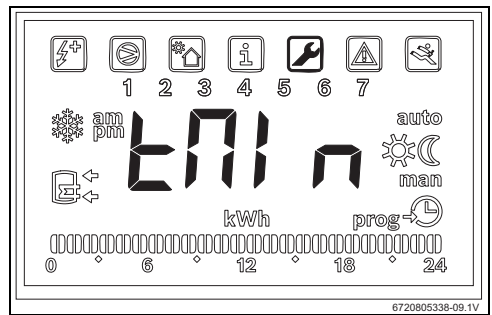


Fig. 25

This parameter defines the temperature value below which the appliance starts working normally regardless of the lack of photovoltaic production. When the water temperature goes below the **"tMin"** value, even when there is no photovoltaic production the appliance will start operating if there are start-up conditions, and will continue to operate until it reaches the temperature set in the memory. With this parameter, the user is setting the minimum comfort level by defining the minimum

temperature that the water in the cylinder can reach while the system is waiting for photovoltaic energy production.

This value can be set between 15 and 70°C and must always be lower than or equal to the general temperature selected.



Values between 61 °C and 70 °C imply the activation of an auxiliary system (boiler or electric heater) instead of the refrigeration cycle. However, the use of the electric heater implies that it has been selected as the priority in the "Prio" submenu and that there is sufficient installed photovoltaic output.

- ▶ Access the "Phot" menu.
- ▶ Press "ok".
- ▶ Use the "+" or "-" keys and select "Tmin".
- ▶ Press "OK".
- ▶ Set the value using the "+" and "-" buttons.
- ▶ Press "OK".
The desired value is now set.

"tMA" - To set the maximum temperature for the water in the cylinder, up until which the appliance should work while there is photovoltaic production

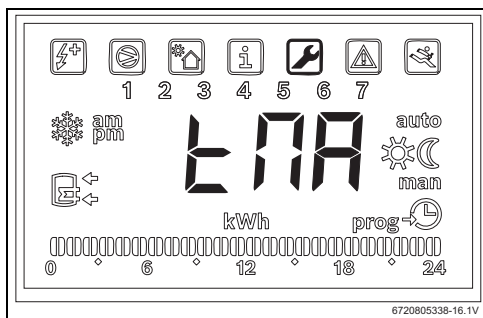


Fig. 26 Submenu "tMA"

This parameter defines the maximum temperature for the water in the cylinder up until which the appliance uses photovoltaic energy. When the "Phot" function is activated, the appliance replaces the selected temperature which is in the memory with this value. In this way, the appliance will start working whenever the temperature of the water in the cylinder falls below the commissioning levels and there is photovoltaic energy production.

The "tMA" parameter can be set between 50 °C and 70 °C. The higher the value, the greater the economy which can be achieved through the photovoltaic production system.



Higher "tMA" values allow the storage of a greater volume of domestic hot water while there is photovoltaic production. This allows waiting times to be maximised until there is new available photovoltaic production, thereby maximising the economic usefulness of the photovoltaic panels.



Values above 60 °C can only be guaranteed by using an auxiliary system (boiler or electric heater). The use of the electric heater implies that it was selected as the priority in the "Prio" submenu and that there is sufficient installed photovoltaic output.

- ▶ Access the "Phot" menu.
- ▶ Press "ok".
- ▶ Use the "+" or "-" keys and select "tMA".
- ▶ Press "ok".
- ▶ Set the value using the "+" and "-" keys.
- ▶ Press "ok".
The maximum water temperature to be reached by the appliance while there is photovoltaic production is now set.

Operation of the auxiliary system



Whenever an auxiliary system (solar, boiler or photovoltaic) is being used, the display flashes intermittently with the notice "Syst".

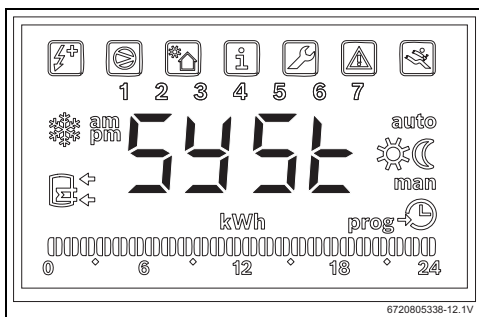


Fig. 27 Auxiliary system in operation

5 Display

5.1 Faults shown on the display

Display	Description	Solution
007	Coil temperature sensor NTC faulty	► Consult a contractor
008	Temperature sensor NTC in middle of cylinder is defective	► Consult a contractor

Table 2 Fault codes

6 Temperature properties of the sensor NTC 10K

Temp. (°C)	R (Ω)
-30	177000
-25	130370
-20	97070
-15	72929
-10	55330
-5	42315
0	32650
5	25388
10	19900
15	15708
20	12490
25	10000
30	8057
35	6531
40	5327
45	4369
50	3603
55	2986
60	2488
65	2083
70	1752
75	1481
80	1258
85	1072
90	917.7
95	788.5
100	680.0

Table 3

7 Environmental protection and disposal

Environmental protection is a fundamental corporate strategy of the Bosch Group.

The quality of our products, their economy and environmental safety are all of equal importance to us and all environmental protection legislation and regulations are strictly observed.

We use the best possible technology and materials for protecting the environment taking account of economic considerations.

Packaging

Where packaging is concerned, we participate in country-specific recycling processes that ensure optimum recycling. All of our packaging materials are environmentally compatible and can be recycled.

Used appliances

Used appliances contain valuable materials that can be recycled.

The various assemblies can be easily dismantled. Synthetic materials are marked accordingly. Assemblies can therefore be sorted by composition and passed on for recycling or disposal.

Old electrical and electronic appliances



This symbol means that the product must not be disposed of with other waste, and instead must be taken to the waste collection points for treatment, collection, recycling and disposal.

The symbol is valid in countries where waste electrical and electronic equipment regulations apply, e.g. "European Directive 2012/19/EC on old electronic and electrical appliances". These regulations define the framework for the return and recycling of old electronic appliances that apply in each country.

As electronic devices may contain hazardous substances, it needs to be recycled responsibly in order to minimize any potential harm to the environment and human health. Furthermore, recycling of electronic scrap helps preserve natural resources.

For additional information on the environmentally compatible disposal of old electrical and electronic appliances, please contact the relevant local authorities, your household waste disposal service or the retailer where you purchased the product.

You can find more information here:

www.weee.bosch-thermotechnologie.com/

Inhoudsopgave

1	Symboolverklaring en veiligheids-instructies ...	17
1.1	Uitleg van de symbolen	17
1.2	Veiligheidsvoorschriften	17
2	Gegevens betreffende het product	18
2.1	Gebruik volgens de voorschriften	18
2.2	Leveringsomvang	18
3	Installatie	19
3.1	Bevestigen aansluitdoos op warmtepomp	19
3.2	Aansluiting van de communicatiekabel op het toestel	19
3.3	Aansluitingen voor temperatuursensor in de aansluitdoos	20
3.4	Aansluitingen "Warmtepomp - solarinstallatie"	20
3.5	Aansluitingen "Warmtepomp - cv-ketel" ..	21
3.6	Aansluitingen "Warmtepomp - fotovoltaïsch systeem"	23
4	Programmering	23
4.1	Direct ondersteunend systeem - solar of cv-ketel	24
4.1.1	Vastleggen ondersteunend systeem	25
4.1.2	Instellen van de bedrijfsparameters van het ondersteunende systeem	25
4.2	Fotovoltaïsch systeem	26
4.2.1	Activeer de bijkomende installatie voor zonne-energie	26
4.2.2	Instellen van de bedrijfsparameters van het ondersteunende systeem	27
5	Display	29
5.1	Storingen, die op het display worden getoond	29
6	Temperatuureigenschappen van de temperatuursensor NTC 10 K	29
7	Milieubescherming en recyclage	30

1 Symboolverklaring en veiligheids- instructies

1.1 Uitleg van de symbolen

Waarschuwing




Veiligheidsinstructies in de tekst worden aangegeven met een gevarendriehoek. Het signaalwoord voor de waarschuwing geeft het soort en de ernst van de gevolgen aan indien de maatregelen ter voorkoming van het gevaar niet worden nageleefd.

De volgende signaalwoorden zijn vastgelegd en kunnen in dit document worden gebruikt:

- **OPMERKING** betekent dat materiële schade kan ontstaan.
- **VOORZICHTIG** betekent dat licht tot middelzwaar lichamelijk letsel kan optreden.
- **WAARSCHUWING** betekent dat zwaar tot levensgevaarlijk lichamelijk letsel kan optreden.
- **GEVAAR** betekent dat zwaar tot levensgevaarlijk lichamelijk letsel zal optreden.

Belangrijke informatie



Belangrijke informatie zonder gevaar voor mens of materialen wordt met het nevenstaande symbool gemarkeerd.

Aanvullende symbolen

Symbool	Betekenis
▶	Handeling
→	Kruisverwijzing naar een andere plaats in het document
•	Opsomming/lijstpositie
–	Opsomming/lijstpositie (2e niveau)

Tabel 1

1.2 Veiligheidsvoorschriften

Installeren en inbedrijfstelling

- ▶ Respecteer de technische documentatie van het toestel en de toebehoren, om een optimale werking te waarborgen.
- ▶ Het toestel mag uitsluitend worden geïnstalleerd door een erkend installateur.

Levensgevaar door elektrische stroom!

- ▶ Waarborg, dat elektrotechnische werkzaamheden alleen door een erkend installateur worden uitgevoerd.
- ▶ Voer de werkzaamheden aan de elektrische installaties conform de geldende wettelijke bepalingen uit.

Informatie voor de klant

- ▶ De installateur moet de klanten informeren over de werking van de installatie en instrueren over de bediening.
- ▶ Maak de klant erop attent, dat onderhoudswerkzaamheden of veranderingen aan het toestel alleen door erkende installateurs mogen worden uitgevoerd.

Reserveonderdelen

- ▶ Gebruik alleen originele reserveonderdelen.

Veiligheid van huishoudelijke en soortgelijke elektrische apparaten

Ter voorkoming van gevaar door elektrische apparatuur gelden conform EN 60335-1 de volgende instructies:

“Deze ketel kan door kinderen vanaf 8 jaar en ouder en door personen met verminderde fysieke, sensorische of mentale capaciteiten of gebrek aan ervaring en kennis worden gebruikt, wanneer deze onder toezicht staan of voor wat betreft het veilig gebruik van de ketel zijn geïnstrueerd en de daaruit resulterende gevaren begrijpen. Kinderen mogen niet met de ketel spelen. Reiniging en gebruikersonderhoud mogen niet door kinderen zonder toezicht worden uitgevoerd.”

“Wanneer de netaansluitkabel wordt beschadigd, moet deze door de fabrikant of haar servicedienst of een gekwalificeerde persoon worden vervangen, om gevaar te vermijden.”

2 Gegevens betreffende het product

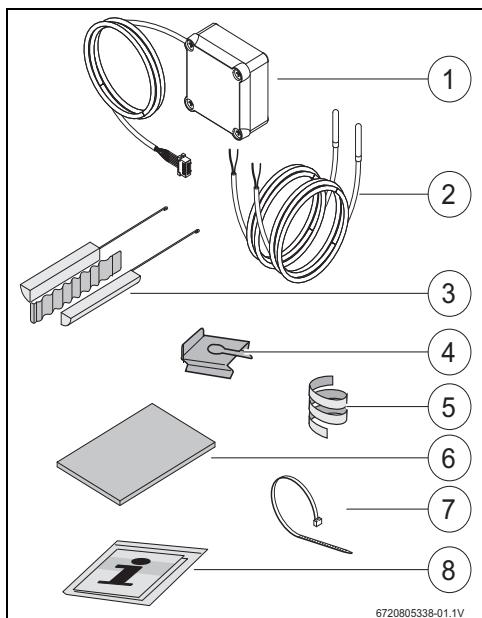
2.1 Gebruik volgens de voorschriften

Met deze toebehoren kunnen ondersteunende systemen voor de warmwatervoorziening worden gekoppeld met keuze voor de telkens meest efficiënte en voordeligste energiebron.

Gebruik de toebehoren voor een directe energiebron, bijvoorbeeld solarthermie, cv-ketel enzovoort en voor een indirecte energiebron zoals bijvoorbeeld een fotovoltaïsch systeem.

- ▶ Gebruik het apparaat conform de bedoeling.
- ▶ Respecteer bij de installatie en het bedrijf de nationale voorschriften en normen.

2.2 Leveringsomvang



Afb. 1 7736503876: positie 1 en 8
7736503877: positie 1 t/m 8

- [1] Aansluitdoos en communicatiekabel voor warmtepomp
- [2] Temperatuursensor NTC (2x)
- [3] Montageset voor temperatuursensor NTC
- [4] Bevestigingsclip
- [5] Kunststofspiraal (bevestiging temperatuursensor NTC)
- [6] Thermische isolatie
- [7] Bindbandje (3x)
- [8] Technische documentatie

3 Installatie



Opstelling van het toestel, elektrische aansluiting, montage van afvoerlucht- en toevoerluchtssystemen en de inbedrijfstelling mogen alleen door een erkend en door de fabrikant geautoriseerd installateur worden uitgevoerd.



GEVAAR: Gevaar voor elektrische schok!

- Schakel voor werkzaamheden aan de elektrische installatie het toestel spanningsloos via een zekering, scheidingschakelaar of andere beveiliging.



GEVAAR: Elektrocutiegevaar!

De elektrische condensator van het toestel moet zich na het uitschakelen van het toestel eerst ontladen.

- Wacht minimaal 5 minuten.

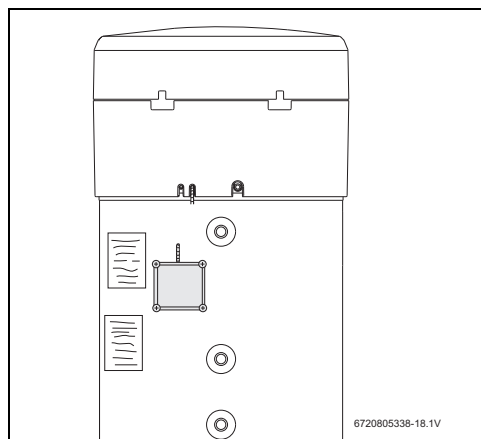


GEVAAR: Gevaar voor elektrische schok!

Defecte aansluitkabels mogen alleen door een erkend installateur worden vervangen, om het respecteren van alle veiligheidsvoorschriften te waarborgen.

3.1 Bevestigen aansluitdoos op warmtepomp

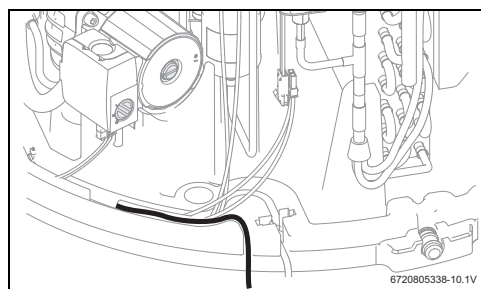
- Bevestig de aansluitdoos tussen de stickers en de wateraansluitingen met de meegeleverde plakband. De communicatiekabel moet naar boven zijn gericht.



Afb. 2

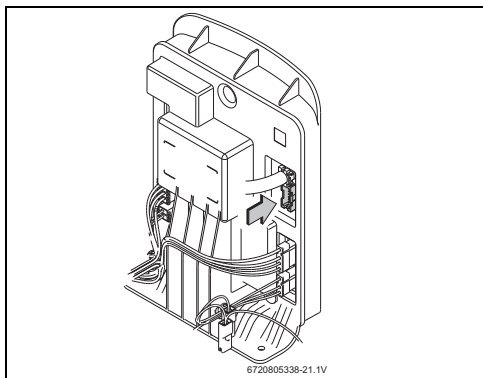
3.2 Aansluiting van de communicatiekabel op het toestel

- Verwijder de bovenste afdekking en de onderste ring van het toestel.
- Installeer de communicatiekabel in de inkerving naast de netkabel van het toestel.
- Fixeer de kabel in de inkerving over de gehele lengte.



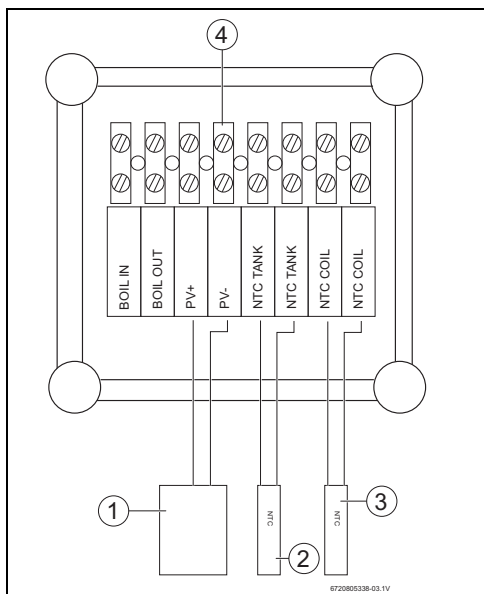
Afb. 3

- Sluit de communicatiekabel aan op de besturing van het toestel.



Afb. 4

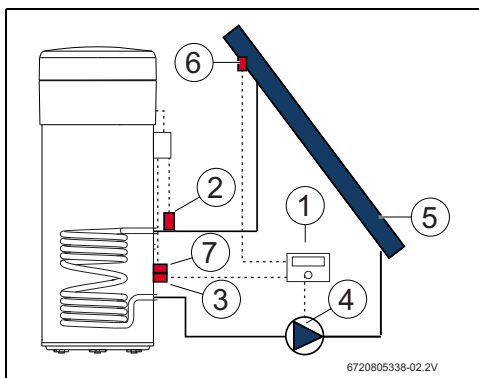
3.3 Aansluitingen voor temperatuursensor in de aansluitdoos



Afb. 5

- [1] ON/OFF-contact van de solaromvormer
- [2] Temperatuursensor NTC (dompelhuls in het midden van de boiler)
- [3] Temperatuursensor NTC (spiraalbuisingang van het ondersteunende systeem)
- [4] Klemmenstrook in aansluitdoos

3.4 Aansluitingen "Warmtepomp - solarinstallatie"



Afb. 6

- [1] Solarregelaar
- [2] Temperatuursensor NTC (NTC COIL - spiraalbuis)
- [3] Temperatuursensor NTC van de solarregelaar (midden van de boiler)
- [4] Pomp
- [5] Solarcollector
- [6] Temperatuursensor NTC van de solarcollector
- [7] Temperatuursensor NTC (NTC TANK - midden van de boiler)

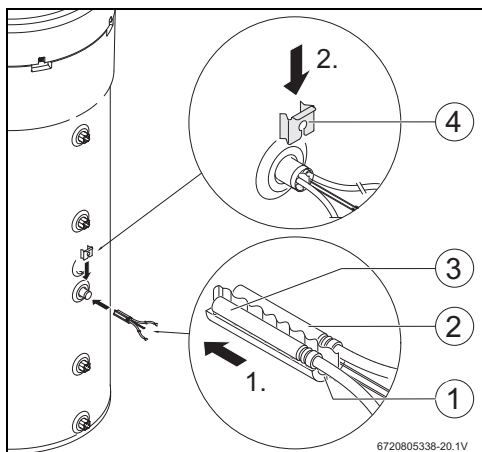
Sluit de temperatuursensor in het midden van de boiler aan



Waarborg een goed contact tussen temperatuursensor en boiler.

- Waarborg dat de temperatuursensor correct in de dompelhuls is gepositioneerd, zodat de temperatuur correct wordt gemeten.

- Monteer de montageset [1], temperatuursensor NTC van de toebehoren [2] en de temperatuursensor NTC van de regelaar [3] en positioneer deze zoals in afb. 7 wordt getoond.
- Steek de temperatuursensor tot aan de aanslag in de dompelhuls.
- Fixeren met de meegeleverde bindbandjes.
- Bevestig de bevestigingsclip [4].
- Sluit de klemmen van de temperatuursensor NTC aan in de aansluitdoos op de klemmen "NTC TANK".



Afb. 7

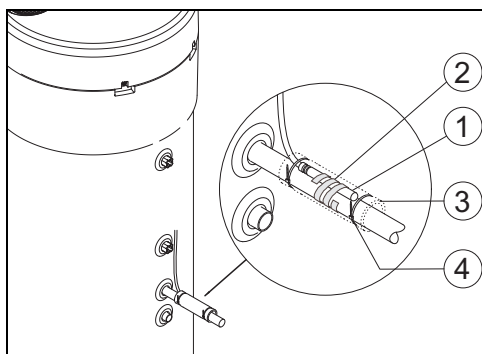
Aansluiten temperatuursensor op spiraalbuis



Waarborg een goed contact tussen temperatuursensor en spiraalbuis.

- Isoleer de temperatuursensor thermisch, zodat de temperatuur aan de ingang van de spiraalbuis correct wordt gemeten.

- Positioneer de temperatuursensor NTC van de toebehoren [1] zoals in afb. 8 is getoond.
- Bevestig de temperatuursensor NTC met de meegeleverde kunststof spiraal [2] op de waterleiding.
- Omhul de temperatuursensor met isolatiemateriaal [3].
- Fixeer de isolatie met de 2 meegeleverde bindbandjes [4].
- Sluit de klemmen van de temperatuursensor NTC aan in de aansluitdoos op de klemmen "NTC COIL".



Afb. 8

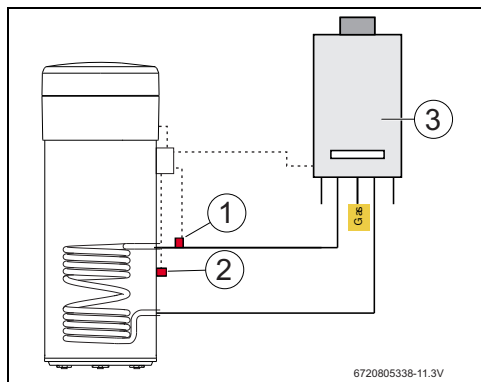
3.5 Aansluitingen "Warmtepomp - cv-ketel"



Aansluiting alleen mogelijk bij cv-ketels met aansluitmogelijkheid voor boiler.



Voor deze aansluiting is een 2-aderige kabel nodig (niet meegeleverd).



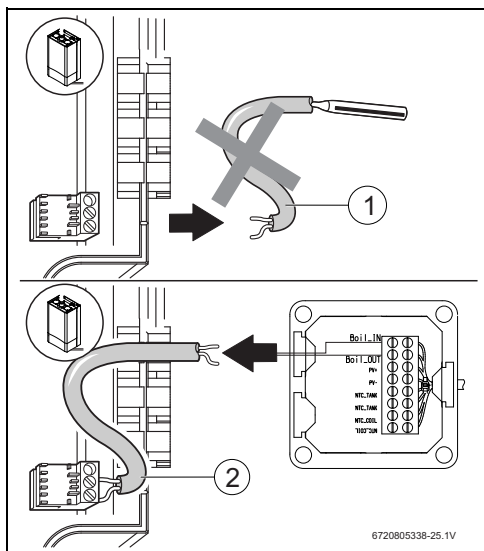
Afb. 9

- [1] Temperatuursensor NTC (spiraalbuis)
- [2] Temperatuursensor NTC (midden van de boiler)
- [3] Ketel

Temperatuursensoraansluiting NTC van de cv-ketel

- Verwijder de temperatuursensor NTC [1] van de boiler van de cv-ketel.
- Sluit op de boiler aansluitingen NTC de beide aders van de extra kabel [2] aan.
- Sluit een vrij adereinde van de extra kabel aan op de klem "BOIL OUT" van de aansluitdoos.

- ▶ Sluit het andere vrije adereinde van de extra kabel aan op de klem "BOIL IN" van de aansluitdoos.



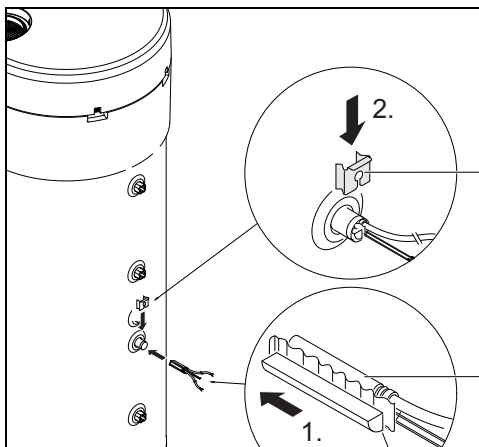
Afb. 10

Sluit de temperatuursensor in het midden van de boiler aan



Waarborg een goed contact tussen temperatuursensor en boiler.

- ▶ Waarborg dat de temperatuursensor correct in de dompelhuls is gepositioneerd, zodat de temperatuur correct wordt gemeten.
- ▶ Monteer de montageset [1], temperatuursensor NTC van de toebehoren [2] en positioneer deze zoals in afb. 11 wordt getoond.
- ▶ Steek de temperatuursensor tot aan de aanslag in de dompelhuls.
- ▶ Fixeren met de meegeleverde bindbandjes.
- ▶ Bevestig de bevestigingsclip [3].
- ▶ Sluit de klemmen van de temperatuursensor NTC aan in de aansluitdoos op de klemmen "NTC TANK".



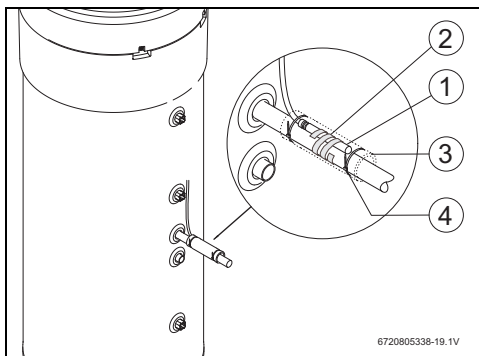
Afb. 11

Aansluiten temperatuursensor op spiraalbuis



Waarborg een goed contact tussen temperatuursensor en spiraalbuis.

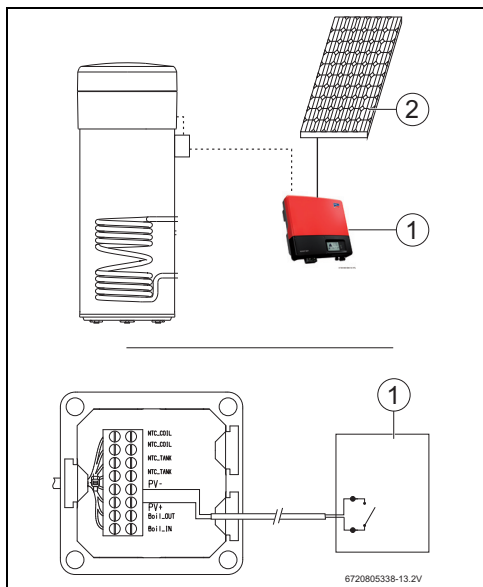
- ▶ Isoleer de temperatuursensor thermisch, zodat de temperatuur aan de ingang van de spiraalbuis correct wordt gemeten.
- ▶ Positioneer de temperatuursensor NTC van de toebehoren [1] zoals in afb. 12 is getoond.
- ▶ Bevestig de temperatuursensor NTC met de meegeleverde kunststof spiraal [2] op de waterleiding.
- ▶ Omhul de temperatuursensor met isolatiemateriaal [3].
- ▶ Fixeer de isolatie met de 2 meegeleverde bindbandjes [4].
- ▶ Sluit de klemmen van de temperatuursensor NTC aan in de aansluitdoos op de klemmen "NTC COIL".



Afb. 12

3.6 Aansluitingen "Warmtepomp - fotovoltaïsch systeem"

- ▶ Sluit een kabel in de aansluitdoos op klem "PV+" aan.
- ▶ Sluit een kabel in de aansluitdoos op klem "PV-" aan.



Afb. 13

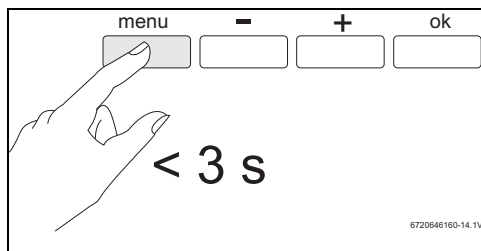
- [1] Omvormer
- [2] Fotovoltaïsch paneel

4 Programmering

i Respecteer de documentatie van de warmtepomp.

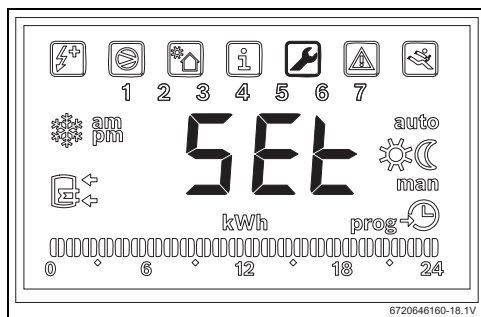
Invoer in het menu "Set" - instellingen

- ▶ Druk de toets "Menu" maximaal 3 seconden in.



Afb. 14

- ▶ Roep het menu "Set" op met de toetsen "+" of "-".



Afb. 15

- ▶ Druk op "ok".
U bevindt zich nu in het menu "Set - instellingen".

4.1 Direct ondersteunend systeem - solar of cv-ketel

Er kan slechts één direct ondersteunend systeem worden gekozen.

Wanneer twee ondersteunende systemen worden gekozen, dan is alleen de laatst geselecteerde actief.

Bijkomende installatie: solar -"Sol"

Wanneer de bijkomende installatie voor zonne-energie wordt geactiveerd, zal de installatie, wanneer er zonne-energie beschikbaar is, voorrang geven aan de bijkomende installatie voor zonne-energie in plaats van aan de warmtepomp en in overeenstemming met de kengetallen die zijn ingesteld voor "**delt**" en "**Tmin**".

Het beschikbare verwarmingsvermogen is direct gekoppeld aan de temperatuurspreiding tussen de elektrische warmtespiraal en het water in de boiler. Hoe hoger de temperatuur van de elektrische warmtespiraal in verhouding tot het water in de boiler, hoe meer vermogen van de solarverwarming er beschikbaar is. Aan de andere kant, hoe groter het beschikbare verwarmingsvermogen, hoe korter de verwarmingstijd.

Op deze manier kan met het kengetal "**delt**" het minimaal beschikbare vermogensbereik worden gedefinieerd, waaronder de gebruiker van mening is dat de verwarmingstijden niet langer acceptabel zijn en daarom moet de warmtepompkoelcyclus worden gebruikt in combinatie met de bijkomende installatie voor zonne-energie.

Hogere "**delt**" waarden betekenen dat de warmtepomp regelmatig zal worden geactiveerd om een beter beschikbaar vermogen te garanderen en daardoor een snellere verwarming van het water. Lagere "**deltwaarden**" betekenen dat de warmtepomp pas in werking treedt wanneer er bijna geen zonne-energie beschikbaar is, waardoor een betere economy wordt gegarandeerd, maar dit kan leiden tot langere verwarmingstijden.

Als de temperatuur van de elektrische warmtespiraal lager is dan de temperatuur van het water in de boiler, betekent dit dat er geen zonne-energie beschikbaar is.

Met het kengetal "**Tmin**" kunnen we de temperatuur van het water in de boiler waaronder het toestel gaat werken (koelcyclus of bijkomende elektrische verwarming, afhankelijk van de omstandigheden en de instelling van het kengetal) definiëren, onafhankelijk van het beschikbare solarverwarmingsvermogen (gedefinieerd via het kengetal "**Tmin**"). Met andere woorden, het kengetal "**Tmin**" definieert de temperatuur van het water waaronder de gebruiker kiest voor comfort en een kortere verwarmingstijd in plaats van de economy door het gebruik van de hulpinstallatie op zonne-energie. Wanneer er solarverwarmingsvermogen beschikbaar is, wordt het water verwarmd

door het thermisch solarsysteem in combinatie met de koelcyclus of de bijkomende elektrische verwarming.

Bijkomende installatie: cv-ketel "Boil"

Als de cv-ketel geactiveerd is als "**boil**" hulpinstallatie, telkens wanneer het nodig is om de bijkomende elektrische verwarming te gebruiken, activeert de installatie de cv-ketel, op voorwaarde dat er verwarmingsvermogen beschikbaar is.

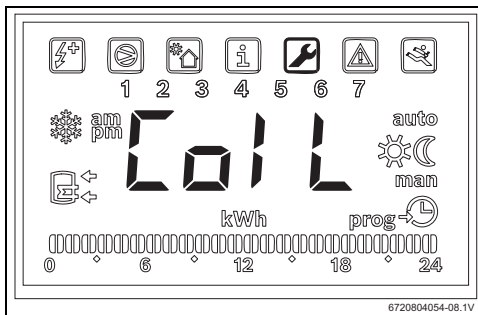
Net als bij de bijkomende installatie voor zonne-energie kan met het kengetal "**delt**" het minimaal beschikbare vermogensbereik worden gedefinieerd waaronder de gebruiker van mening is dat de verwarmingstijden niet langer acceptabel zijn en daarom moet de bijkomende elektrische verwarming in combinatie met de cv-ketel worden gebruikt.

Hogere "**delt**" waarden betekenen dat de bijkomende elektrische verwarming regelmatig zal worden geactiveerd om een beter beschikbaar vermogen te garanderen en daardoor een snellere verwarming van het water. Lagere "**deltwaarden**" betekenen dat de bijkomende elektrische verwarming pas in werking treedt wanneer de cv-ketel bijna geen beschikbaar verwarmingsvermogen heeft, wat kan leiden tot langere verwarmingstijden.

Net als bij de bijkomende installatie op zonne-energie, wanneer de cv-ketel het gekozen hulpsysteem is, definieert het kengetal "**Tmin**" de temperatuur van het water in de boiler waaronder het toestel gaat werken (koelcyclus of bijkomende elektrische verwarming, afhankelijk van de omstandigheden en de instelling van het kengetal), onafhankelijk van het beschikbare verwarmingsvermogen van de cv-ketel (gedefinieerd via het kengetal "**Tmin**"). Nadat de cv-ketel de bijkomende elektrische verwarming vervangen heeft, heeft **Tmin** uitsluitend een praktisch effect als er voorwaarden zijn voor bedrijf met elektrische verwarming (bijvoorbeeld: "**Elec**" bedrijf, watertemperatuur boven 60 °C, enz.). In deze situaties, wanneer de watertemperatuur onder "**Tmin**" gaat, en op voorwaarde dat er beschikbaar verwarmingsvermogen van de cv-ketel is, werkt de elektrische verwarming samen met de cv-ketel.

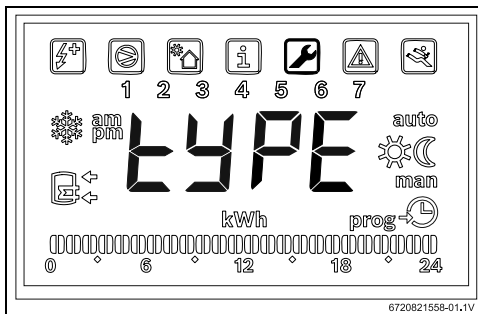
4.1.1 Vastleggen ondersteunend systeem

- ▶ Roep het menu "Coil" op met de toetsen "+" of "-".



Afb. 16

- ▶ Druk op "ok".
Het display toont "Type".
In dit menu kunt u een direct ondersteunend systeem (solar of cv-ketel) kiezen en de bedrijfsparameters instellen.

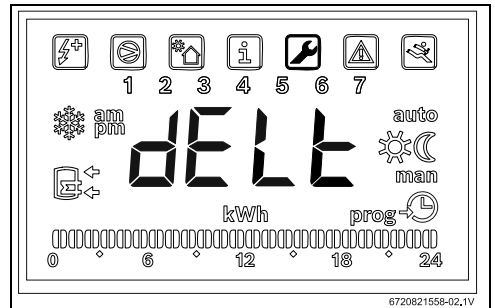


Afb. 17

- ▶ Druk op "ok".
- ▶ Gebruik de "+" of "-" toetsen en selecteer "OFF", "Sol" of "Boil", naargelang het type en of er al dan niet een bijkomende installatie gebruikt wordt:
 - solar "Sol"
 - cv-ketel "Boil"
- ▶ Druk op "ok".
Ondersteunend systeem gekozen.

4.1.2 Instellen van de bedrijfsparameters van het ondersteunende systeem

"delta"-instelling van het temperatuurverschil, waarbij de warmtepomp (systeem Sol) of het elektrische verwarmingselement (systeem boil) wordt ingeschakeld

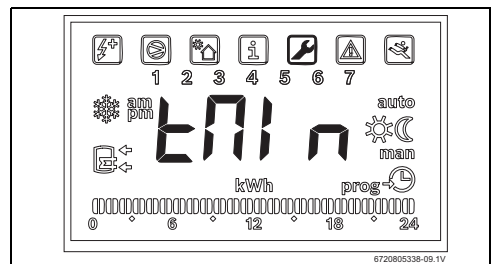


Afb. 18

Met deze parameter wordt bepaald, bij welk temperatuurverschil tussen de in de boiler gemeten temperatuur en de temperatuur aan de ingang van de spiraalbuis, de warmtepomp of het elektrisch verwarmingselement start ($T = T_{\text{boiler}} - T_{\text{buis}}$). Het instelbereik is 2 tot 10 °C (fabrieksinstelling 6 °C).

- ▶ Open het menu "Spoel".
- ▶ Druk op "ok".
- ▶ Gebruik de "+" of "-" toetsen en kies "delt".
- ▶ Druk op "ok".
- ▶ Stel de waarde in met de toetsen "+" en "-".
- ▶ Druk op "ok".
De gewenste waarde is nu opgeslagen.

"tMin"-onderste grenswaarde van de watertemperatuur in de boiler instellen, waarbij de warmtepomp start

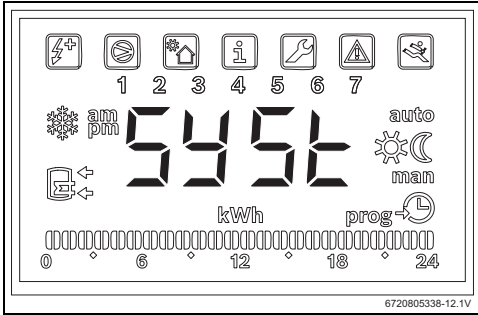


Afb. 19

Dit kengetal bepaalt de temperatuur van het water in de boiler waaronder de warmtepomp wordt geactiveerd, wanneer de bijkomende installatie voor zonne-energie wordt geselecteerd. De waarde kan tussen 20 en $T_{\text{set}} - 3 \text{ °C}$ liggen (fabrieksinstelling 35 °C).

- ▶ Open het menu "**Spoel**".
 - ▶ Druk op "ok".
 - ▶ Gebruik de "+" of "-" toetsen en selecteer "**tmin**".
 - ▶ Druk op "ok".
 - ▶ Stel de waarde in met de toetsen "+" en "-".
 - ▶ Druk op "ok".
- De gewenste waarde is nu opgeslagen.

i Wanneer het toestel herkent, dat een ondersteunend systeem in bedrijf is (solarinstallatie, cv-ketel of fotovoltaïsch systeem) wordt "**Syst**" knipperend op het display weergegeven.



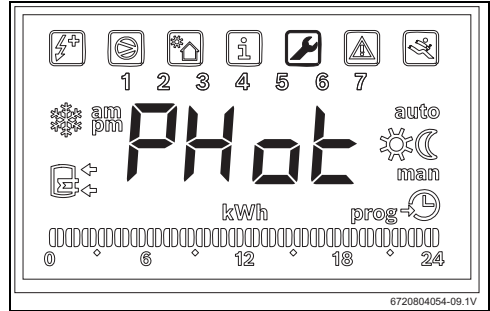
Afb. 20 Bijkomende installatie geactiveerd

4.2 Fotovoltaïsch systeem

Met deze functie kunt u de elektrische energiebesparing maximaliseren door gebruik te maken van de energie die wordt geproduceerd door fotovoltaïsche panelen wanneer deze beschikbaar zijn. Het toestel maakt het mogelijk om de bedrijfsomstandigheden uit te breiden in overeenstemming met de parameter "**tMA**" wanneer er fotovoltaïsche energie beschikbaar is.

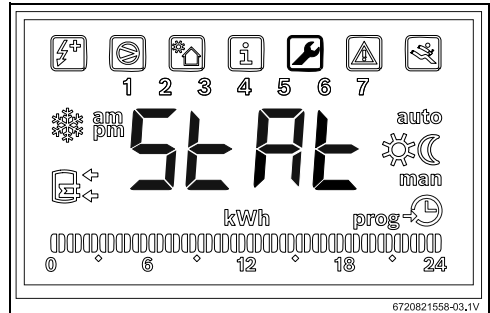
4.2.1 Activeer de bijkomende installatie voor zonne-energie

- ▶ Roep het menu "**PHot**" op met de toetsen "+" of "-".



Afb. 21

- ▶ Druk op "ok".
- Het display toont "**Status**".
- In dit menu kunt u het fotovoltaïsch paneel als ondersteunend systeem kiezen en de bedrijfsparameters instellen.

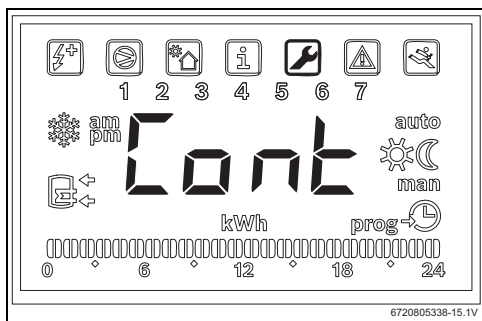


Afb. 22

- ▶ Druk op "ok".
 - ▶ Gebruik de "+" of "-" toetsen en selecteer
 - "**ON**": activeer het fotovoltaïsch systeem
 - "**OFF**": deactiveer het fotovoltaïsch systeem
 - ▶ Druk op "ok".
- De gewenste waarde is nu ingesteld.

4.2.2 Instellen van de bedrijfsparameters van het ondersteunende systeem

Stel "Cont"-omvormertype van het ondersteunend systeem in

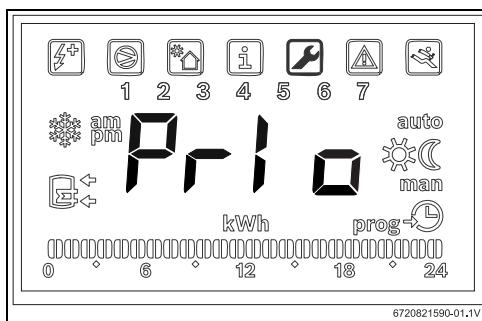


Afb. 23

Met deze parameter wordt het omvormertype van het ondersteunende systeem ingesteld.

- ▶ Open het menu "Phot".
- ▶ Druk op "ok".
- ▶ Gebruik de "+" of "-" toetsen en selecteer "Cont".
- ▶ Druk op "ok".
- ▶ Kies met de toetsen "+" of "-" afhankelijk van het omvormertype "NO" of "NC".
 - "NO": omvormer met normally open contacten
 - "NC": omvormer met normally closed contacten
- ▶ Druk op "ok".
Omvormertype is ingesteld.
Display toont "tMin".

"Prio" - Om de prioriteit ten opzichte van de bijkomende installatie van de warmtepomp in te stellen wanneer er fotovoltaïsche energie beschikbaar is



Afb. 24 Submenu "Prio"

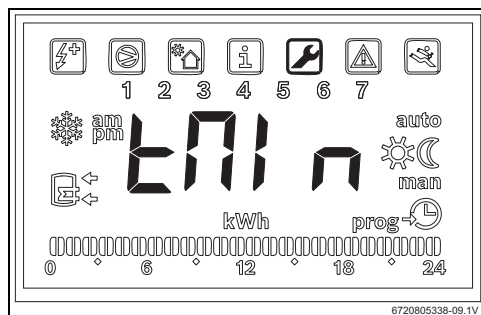
Dit kengetal laat ons toe om te kiezen welke bijkomende installatie van de warmtepomp voorrang heeft wanneer er fotovoltaïsche energie wordt geproduceerd en de lucht- en watertemperatuur niet geschikt zijn voor de koelcyclus.

- ▶ Open het menu "Phot".
- ▶ Druk op "ok".
- ▶ Gebruik de "+" of "-" toetsen en selecteer "Prio".
- ▶ Druk op "ok".
- ▶ Gebruik de "+" of "-" toetsen en selecteer "P e" of "P b".
 - "P e": voorrang voor de elektrische verwarming als bijkomende installatie van de warmtepomp wanneer er fotovoltaïsche energie beschikbaar is.
 - "P b": voorrang voor de cv-ketel als bijkomende installatie voor de warmtepomp, ook als er fotovoltaïsche energie beschikbaar is.
- ▶ Druk op "ok".
De installatie met voorrang is nu gedefinieerd.



Voordat u prioriteit geeft aan de elektrische verwarming, moet u garanderen dat er voldoende fotovoltaïsch vermogen is geïnstalleerd om de elektrische verwarming van stroom te voorzien. Controleer het nominaal warmtevermogen van de bijverwarming op het specificatieplaatje van het toestel en houd rekening met een waarde die minstens 10% hoger ligt (typische tolerantie). Besteed aandacht aan het rendement van de fotovoltaïsche installatie in verschillende omstandigheden en naarmate deze ouder wordt.

"tMin" - onderste grenswaarde van de watertemperatuur in de boiler instellen, waarbij de warmtepomp start



Afb. 25

Dit kengetal bepaalt de temperatuurwaarde waaronder het toestel normaal begint te werken, ongeacht het ontbreken van fotovoltaïsche productie. Wanneer de watertemperatuur onder de "Tmin"-waarde komt, zelfs wanneer er geen fotovoltaïsche

productie is, zal het toestel in werking treden als er opstartcondities zijn, en zal het blijven werken tot het de in het geheugen ingestelde temperatuur bereikt. Met dit kengetal stelt de gebruiker het minimale comfortniveau in door de minimumtemperatuur te definiëren die het water in de boiler kan bereiken terwijl de installatie wacht op de productie van fotovoltaïsche energie.

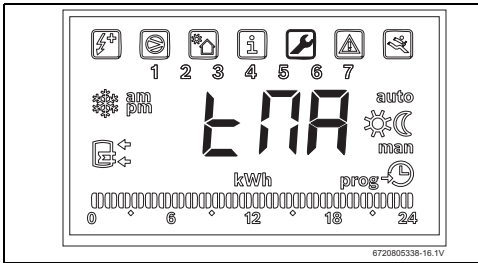
Deze waarde kan ingesteld worden tussen 15 en 70°C en moet altijd lager dan of gelijk aan de algemene geselecteerde temperatuur zijn.



Waarden tussen 61 °C en 70 °C impliceren de sturing van een bijkomende installatie (cv-ketel of elektrische verwarming) in plaats van de koelcyclus. Het gebruik van de elektrische verwarming houdt echter in dat deze in het submenu "Prio" als prioriteit is gekozen en dat er voldoende fotovoltaïsch vermogen is geïnstalleerd.

- ▶ Open het menu "Phot".
 - ▶ Druk op "ok".
 - ▶ Gebruik de "+" of "-" toetsen en selecteer "Tmin".
 - ▶ Druk op "ok".
 - ▶ Stel de waarde in met de toetsen "+" en "-".
 - ▶ Druk op "ok".
- De gewenste waarde is nu ingesteld.

"tMA" - Om de maximale temperatuur voor het water in de boiler in te stellen, tot welke temperatuur het toestel moet werken terwijl er fotovoltaïsche productie is



Afb. 26 Submenu "tMA"

Dit kengetal bepaalt de maximale temperatuur van het water in de boiler tot aan het gebruik van fotovoltaïsche energie door het toestel. Wanneer de functie "Phot" is geactiveerd, vervangt het toestel de geselecteerde temperatuur die in het geheugen is opgeslagen door deze waarde. Op deze manier zal het toestel in werking treden wanneer de temperatuur van het water in de boiler onder het niveau van de inbedrijfstelling daalt en er fotovoltaïsche energie wordt geproduceerd.

Het "tMA" kengetal kan ingesteld worden tussen 50 °C en 70 °C. Hoe hoger de waarde, hoe groter de economy die kan worden bereikt door de fotovoltaïsche productinstallatie.



Hogere "tMA"-waarden maken de opslag van een grotere hoeveelheid sanitair warm water mogelijk terwijl er fotovoltaïsche productie is. Hierdoor kunnen de wachttijden worden gemaximaliseerd tot er nieuwe fotovoltaïsche productie beschikbaar is, waardoor het economische nut van de fotovoltaïsche panelen wordt gemaximaliseerd.



Waarden boven 60 °C kan uitsluitend gewaarborgd worden door een bijkomende installatie te gebruiken (cv-ketel of elektrische verwarming). Het gebruik van de elektrische verwarming impliceert dat deze als prioriteit is gekozen in het "Prio" submenu en dat er voldoende fotovoltaïsch vermogen is geïnstalleerd.

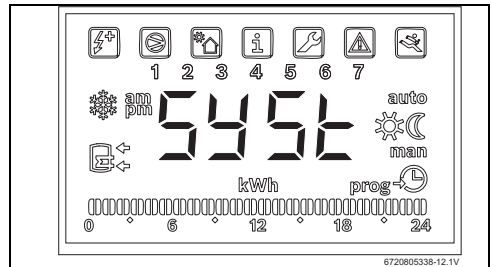
- ▶ Open het menu "Phot".
- ▶ Druk op "ok".
- ▶ Gebruik de "+" of "-" toetsen en selecteer "tMA".
- ▶ Druk op "ok".
- ▶ Stel de waarde in met de toetsen "+" en "-".
- ▶ Druk op "ok".

De maximale watertemperatuur die door het toestel moet worden bereikt terwijl er fotovoltaïsche productie is, is nu ingesteld.

Bedrijf van het ondersteunend systeem



Wanneer een bijkomende installatie (solar, cv-ketel of fotovoltaïsch) wordt gebruikt, knippert het display met tussenpozen met de melding "Syst".



Afb. 27 Bijkomende installatie in bedrijf

5 Display

5.1 Storingen, die op het display worden getoond

Display	Omschrijving	Oplossing
007	Temperatuursensor NTC van de spiraalbuis defect	► Vakman inschakelen
008	Temperatuursensor NTC in het boilermidden defect	► Vakman inschakelen

Tabel 2 Storingcodes

6 Temperatuureigenschappen van de temperatuursensor NTC 10 K

Temp. (°C)	R (Ω)
-30	177000
-25	130370
-20	97070
-15	72929
-10	55330
-5	42315
0	32650
5	25388
10	19900
15	15708
20	12490
25	10000
30	8057
35	6531
40	5327
45	4369
50	3603
55	2986
60	2488
65	2083
70	1752
75	1481
80	1258
85	1072
90	917,7
95	788,5
100	680,0

Tabel 3

7 Milieubescherming en recyclage

Milieubescherming is een ondernemingsprincipe van de Bosch-groep.

Kwaliteit van de producten, rendement en milieubescherming zijn even belangrijke doelen voor ons. Wetten en voorschriften op het gebied van de milieubescherming worden strikt gerespecteerd.

Ter bescherming van het milieu gebruiken wij, rekening houdend met bedrijfseconomische gezichtspunten, de best mogelijke techniek en materialen.

Verpakking

Voor wat de verpakking betreft nemen wij deel aan de nationale verwerkingssystemen, die een optimale recycling waarborgen. Alle gebruikte verpakkingsmaterialen zijn milieuvriendelijk en kunnen worden hergebruikt.

Oud apparaat

Oude toestellen bevatten materialen, die hergebruikt kunnen worden.

De modules kunnen gemakkelijk worden gescheiden. Kunststoffen zijn gemarkeerd. Daardoor kunnen de verschillende componenten worden gesorteerd en voor recycling of afvalverwerking worden afgegeven.

Afgedankte elektrische en elektronische apparatuur



Dit symbool betekent, dat het product niet samen met ander afval mag worden afgevoerd, maar voor behandeling, inzameling, recycling en afvoeren naar de daarvoor bedoelde verzamelplaatsen moet worden gebracht.

Dit symbool geldt voor landen met voorschriften op het gebied van verschromen van elektronica, bijv. de "Europese richtlijn 2012/19/EG betreffende oude elektrische en elektronische apparaten". In deze voorschriften is het kader vastgelegd voor de inlevering en recycling van oude elektronische apparaten in de afzonderlijke landen.

Aangezien elektronische toestellen gevaarlijke stoffen kunnen bevatten, moeten deze op verantwoorde wijze worden gerecycled om mogelijke milieuschade en gevaren voor de menselijke gezondheid tot een minimum te beperken. Bovendien draagt het recyclen van elektronisch schroot bij aan het behoud van natuurlijke hulpbronnen.

Voor meer informatie over het milieuvriendelijke afvoeren van afgedankte elektrische en elektronische apparatuur kunt u contact opnemen met de plaatselijke autoriteiten, uw afvalverwerkingsbedrijf of de verkoper bij wie u het product hebt gekocht.

Meer informatie vindt u hier:

www.weee.bosch-thermotechnology.com/

Sommaire

1	Explication des symboles et consignes de sécurité	32
1.1	Explication des symboles	32
1.2	Consignes de sécurité	32
2	Informations produit	33
2.1	Utilisation conforme à l'usage prévu	33
2.2	Contenu de la livraison	33
3	Installation	34
3.1	Fixer le boîtier de connexion à la pompe à chaleur	34
3.2	Raccordement du câble de communication à l'appareil	34
3.3	Raccordement des sondes de température dans le boîtier de connexion	35
3.4	Raccordement « Pompe à chaleur - installation solaire »	35
3.5	Raccordement « Pompe à chaleur - chaudière »	36
3.6	Raccordement « Pompe à chaleur - système photovoltaïque »	38
4	Programmation	38
4.1	Système complémentaire direct - solaire ou chaudière	39
4.1.1	Déterminer le système complémentaire ..	39
4.1.2	Régler les paramètres d'exploitation du système complémentaire	40
4.2	Système photovoltaïque	41
4.2.1	Activer le système auxiliaire photovoltaïque	41
4.2.2	Régler les paramètres d'exploitation du système complémentaire	41
5	Affichage	44
5.1	Défauts affichés sur l'écran	44
6	Caractéristiques de température de la sonde NTC 10 K	44
7	Protection de l'environnement et recyclage	45

1 Explication des symboles et consignes de sécurité

1.1 Explication des symboles

Avertissements



Les avertissements sont indiqués dans le texte par un triangle de signalisation. En outre, les mots de signallement caractérisent le type et l'importance des conséquences éventuelles si les mesures nécessaires pour éviter le danger ne sont pas respectées.

Les mots de signallement suivants sont définis et peuvent être utilisés dans le présent document :

- **AVIS** signale le risque de dégâts matériels.
- **PRUDENCE** signale le risque d'accidents corporels légers à moyens.
- **AVERTISSEMENT** signale le risque d'accidents corporels graves à mortels.
- **DANGER** signale la survenue d'accidents mortels en cas de non respect.

Informations importantes



Les informations importantes ne concernant pas de situations à risques pour l'homme ou le matériel sont signalées par le symbole ci-contre.

Autres symboles

Symbole	Signification
▶	Etape à suivre
→	Renvoi à un autre passage dans le document
•	Énumération/Enregistrement dans la liste
–	Énumération/Enregistrement dans la liste (2e niveau)

Tab. 1

1.2 Consignes de sécurité

Installation et mise en service

- ▶ Respecter la documentation technique de l'appareil et de l'accessoire pour garantir un fonctionnement parfait.
- ▶ L'appareil doit être installé par un installateur qualifié.

Danger de mort par électrocution !

- ▶ S'assurer que les travaux électriques sont uniquement réalisés par un électricien qualifié.
- ▶ Effectuer les installations électriques conformément aux directives en vigueur.

Informations destinées au client

- ▶ L'installateur doit informer le client sur le mode de fonctionnement de l'installation et l'initier à son utilisation.
- ▶ Informer le client que les modifications ou les travaux de maintenance effectués sur l'appareil doivent être confiés exclusivement à des professionnels qualifiés.

Pièces de rechange

- ▶ Utiliser uniquement des pièces de rechange du fabricant.

Sécurité des appareils électriques à usage domestique et utilisations similaires

Pour éviter les risques dus aux appareils électriques, les prescriptions suivantes s'appliquent conformément à la norme EN 60335-1 :

« Cet appareil peut être utilisé par des enfants à partir de 8 ans ainsi que par des personnes aux capacités physiques, sensorielles ou mentales réduites ou manquant d'expérience et de connaissances du produit, dans la mesure où elles sont sous surveillance, où elles ont été initiées à l'utilisation fiable de l'appareil et comprennent les dangers qui en résultent. Les enfants ne doivent pas jouer avec l'appareil. Le nettoyage et la maintenance ne doivent pas être exécutés par des enfants sans surveillance. »

« Si le raccordement au réseau électrique est endommagé, il doit être remplacé par le fabricant, son service après-vente ou une personne disposant d'une qualification similaire pour éviter tout danger. »

2 Informations produit

2.1 Utilisation conforme à l'usage prévu

Cet accessoire permet d'intégrer des systèmes contribuant à produire de l'eau chaude sanitaire en choisissant la source d'énergie la plus efficace et la moins coûteuse.

L'accessoire peut être utilisé pour une source d'énergie directe, par ex. solaire, chaudière, etc. ainsi que pour une source d'énergie indirecte comme l'énergie photovoltaïque.

- ▶ Utiliser l'appareil de manière conforme.
- ▶ Pour l'installation et le fonctionnement, veuillez respecter les prescriptions et normes spécifiques nationales en vigueur.

2.2 Contenu de la livraison

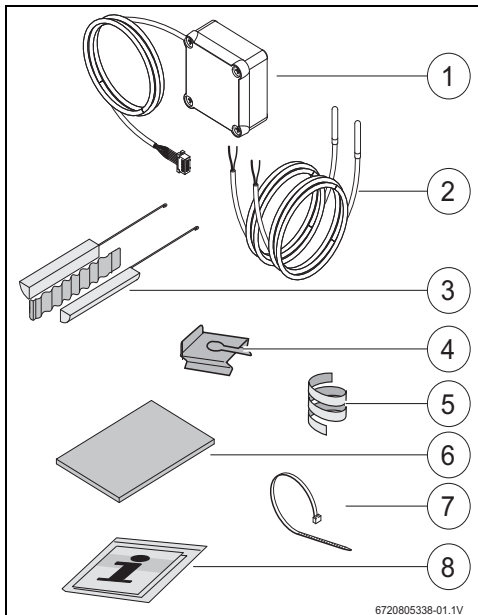


Fig. 1 7736503876 : position 1 et 8
7736503877 : position 1 à 8

- [1] Boîtier de connexion et câble de communication pour la pompe à chaleur
- [2] Sonde de température NTC (2x)
- [3] Kit de montage de la sonde de température NTC
- [4] Clip de fixation
- [5] Spirale en matière synthétique (fixation de la sonde de température NTC)
- [6] Isolation thermique
- [7] Serre-câble (3x)
- [8] Documentation technique

3 Installation



L'installation de l'appareil, le branchement électrique, le montage des systèmes d'arrivée et d'évacuation d'air et la mise en service doivent être exécutés exclusivement par un professionnel qualifié.



DANGER : Risques d'électrocution !

- ▶ Avant de démarrer les travaux sur la partie électrique, mettre l'appareil hors tension via le fusible, l'interrupteur ou un autre dispositif de protection.



DANGER : Risques d'électrocution !

Après l'arrêt de l'appareil, le condensateur électrique de l'appareil doit d'abord se décharger.

- ▶ Attendre au moins 5 minutes.



DANGER : Risques d'électrocution !

Les câbles défectueux ne doivent être remplacés que par un professionnel agréé afin de garantir le respect des conditions de sécurité.

3.1 Fixer le boîtier de connexion à la pompe à chaleur

- ▶ Fixer le boîtier de connexion entre les autocollants et les raccords hydrauliques à l'aide de la bande adhésive jointe. Le câble de communication doit être orienté vers le haut.

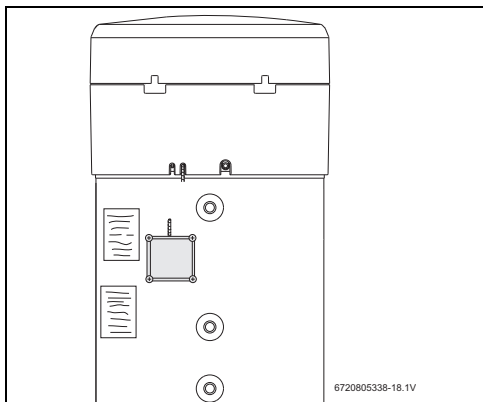


Fig. 2

3.2 Raccordement du câble de communication à l'appareil

- ▶ Retirer le couvercle et l'anneau inférieur de l'appareil.
- ▶ Poser le câble de communication dans l'encoche à côté du câble de réseau de l'appareil.
- ▶ Fixer le câble dans l'encoche sur toute la longueur.

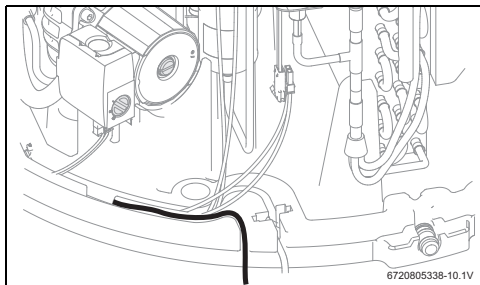


Fig. 3

- ▶ Raccorder le câble de communication à l'appareil de commande.

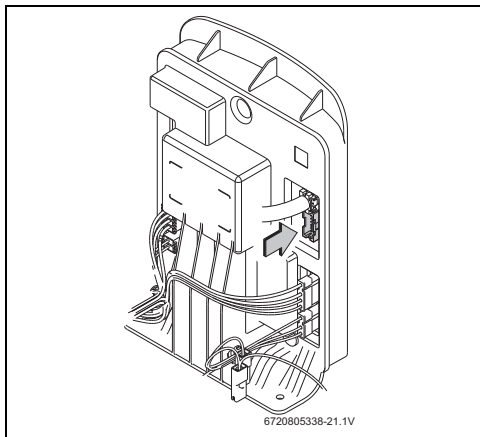


Fig. 4

3.3 Raccordement des sondes de température dans le boîtier de connexion

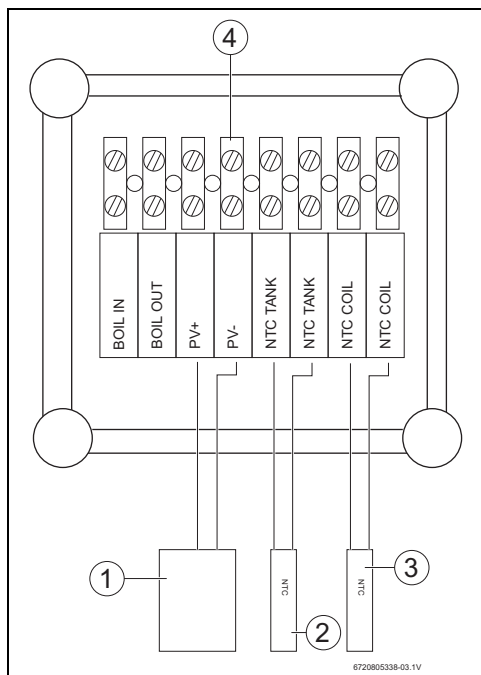


Fig. 5

- [1] Contact ON/OFF de l'onduleur solaire
- [2] Sonde de température NTC (doigt de gant au milieu du ballon)
- [3] Sonde de température NTC (entrée serpentin du système complémentaire)
- [4] Bornier dans le boîtier de connexion

3.4 Raccordement « Pompe à chaleur - installation solaire »

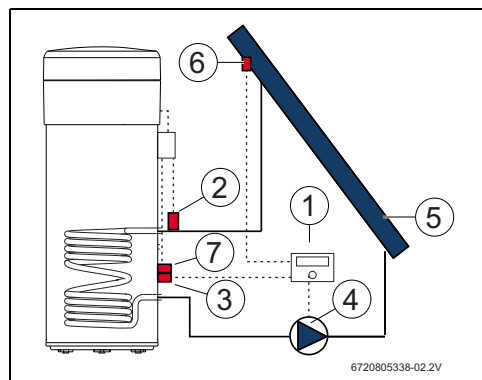


Fig. 6

- [1] Régulateur solaire
- [2] Sonde de température NTC (NTC COIL - serpentin)
- [3] Sonde de température NTC du régulateur solaire (milieu du ballon)
- [4] Pompe
- [5] Capteur solaire
- [6] Sonde de température NTC du capteur solaire
- [7] Sonde de température NTC (NTC TANK - milieu du ballon)

Monter la sonde de température au milieu du ballon



Assurer un bon contact entre la sonde de température et le ballon.

- ▶ S'assurer que la sonde de température est bien positionnée dans le doigt de gant pour que la température puisse être mesurée correctement.

- ▶ Monter le kit de montage [1], la sonde de température NTC de l'accessoire [2] et la sonde de température NTC du régulateur [3] et les positionner comme indiqué dans la fig 7.
- ▶ Insérer la sonde de température dans le doigt de gant jusqu'à la butée.
- ▶ Fixer avec le serre-câble joint.
- ▶ Fixer le clip de fixation [4].
- ▶ Raccorder les bornes de raccordement de la sonde de température NTC dans le boîtier de connexion aux bornes « NTC TANK ».

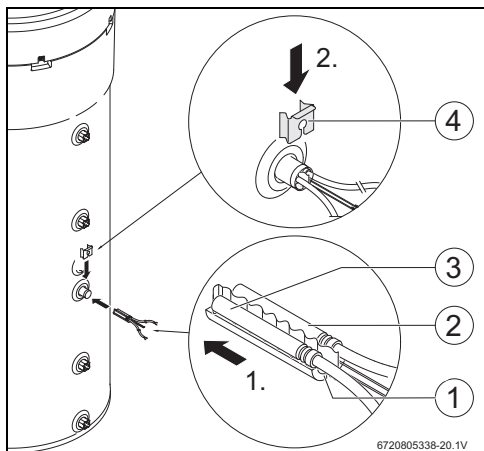


Fig. 7

Raccorder la sonde de température au serpentin

- i** Assurer un bon contact entre la sonde de température et le serpentin.
- ▶ Isoler thermiquement la sonde de température pour que la température à l'entrée du serpentin puisse être mesurée correctement.

- ▶ Positionner la sonde de température NTC de l'accessoire [1] comme indiqué dans la fig. 8.
- ▶ Fixer la sonde de température NTC au tuyau d'eau avec la spirale plastique [2] jointe.
- ▶ Entourer la sonde de température avec le matériau isolant [3].
- ▶ Fixer l'isolation avec les 2 serre-câbles [4] joints.
- ▶ Raccorder les bornes de raccordement de la sonde de température NTC dans le boîtier de connexion aux bornes « NTC COIL ».

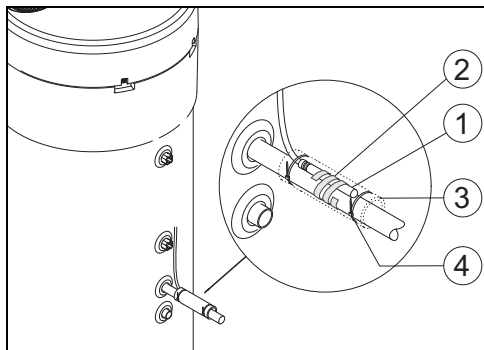


Fig. 8

3.5 Raccordement « Pompe à chaleur - chaudière »



Le raccordement n'est possible que pour des chaudières présentant la possibilité d'un raccordement ballon.



Pour ce raccordement, un câble bifilaire est nécessaire (non fourni).

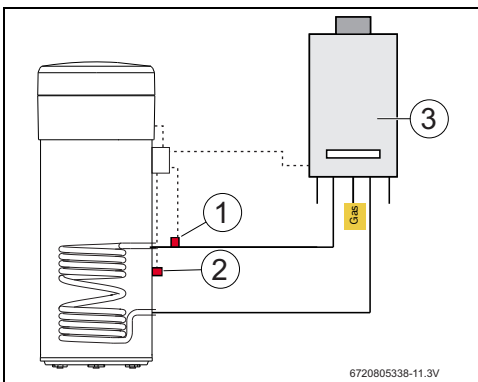


Fig. 9

- [1] Sonde de température NTC (serpentin)
- [2] Sonde de température NTC (milieu du ballon)
- [3] Chaudière

Raccordement de la sonde de température NTC de la chaudière

- ▶ Retirer la sonde de raccordement NTC [1] du ballon de la chaudière.
- ▶ Raccorder les deux fils du câble supplémentaire [2] aux raccords ballon NTC.
- ▶ Raccorder un connecteur libre du câble supplémentaire à la borne « BOIL OUT » du boîtier de connexion.
- ▶ Raccorder l'autre connecteur libre du câble supplémentaire à la borne « BOIL IN » du boîtier de connexion.

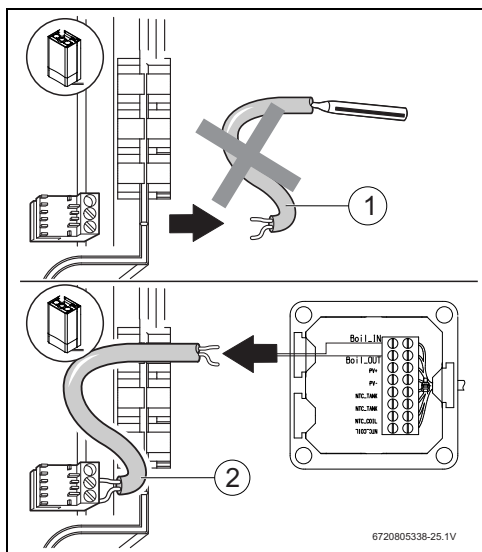


Fig. 10

Monter la sonde de température au milieu du ballon



Assurer un bon contact entre la sonde de température et le ballon.

- ▶ S'assurer que la sonde de température est bien positionnée dans le doigt de gant pour que la température puisse être mesurée correctement.

- ▶ Monter le kit de montage [1] et la sonde de température NTC de l'accessoire [2] et les positionner comme indiqué dans la fig. 11
- ▶ Insérer la sonde de température dans le doigt de gant jusqu'à la butée.
- ▶ Fixer avec le serre-câble joint.
- ▶ Fixer le clip de fixation [3].

- ▶ Raccorder les bornes de raccordement de la sonde de température NTC dans le boîtier de connexion aux bornes « NTC TANK ».

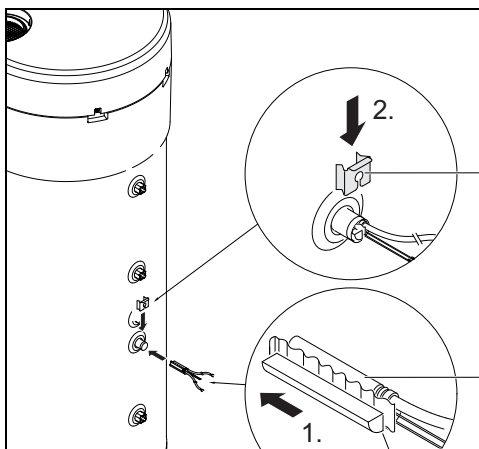


Fig. 11

Raccorder la sonde de température au serpentin



Assurer un bon contact entre la sonde de température et le serpentin.

- ▶ Isoler thermiquement la sonde de température pour que la température à l'entrée du serpentin puisse être mesurée correctement.

- ▶ Positionner la sonde de température NTC de l'accessoire [1] comme indiqué dans la fig. 12.
- ▶ Fixer la sonde de température NTC au tuyau d'eau avec la spirale plastique [2] jointe.
- ▶ Entourer la sonde de température avec le matériau isolant [3].
- ▶ Fixer l'isolation avec les 2 serre-câbles [4] joints.
- ▶ Raccorder les bornes de raccordement de la sonde de température NTC dans le boîtier de connexion aux bornes « NTC COIL ».

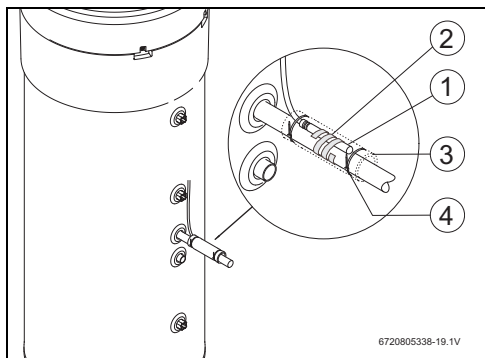


Fig. 12

3.6 Raccordement « Pompe à chaleur - système photovoltaïque »

- ▶ Raccorder un câble du boîtier de connexion à la borne « PV+ ».
- ▶ Raccorder un câble du boîtier de connexion à la borne « PV- ».

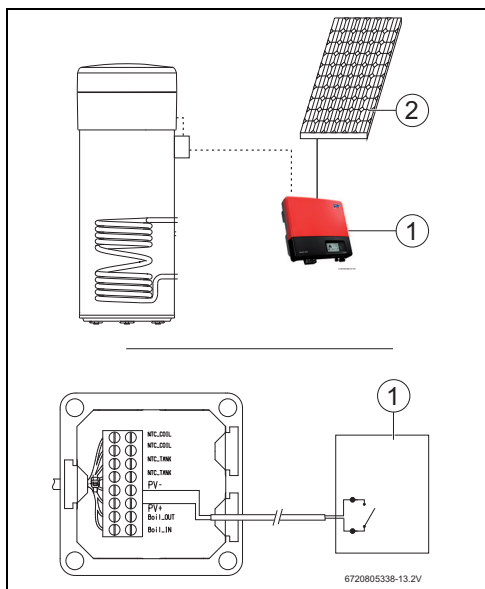


Fig. 13

- [1] Onduleur
- [2] Module photovoltaïque

4 Programmation



Tenir compte de la documentation de la pompe à chaleur.

Saisies dans le menu « Set » - réglages

- ▶ Appuyer pendant maximum 3 secondes sur la touche « Menu ».

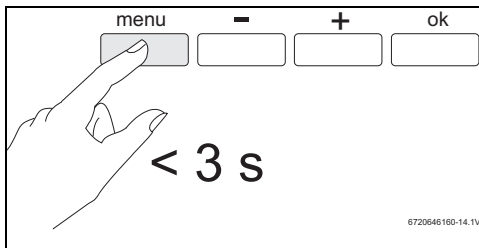


Fig. 14

- ▶ Sélectionner le menu « Set » avec les touches « + » ou « - ».

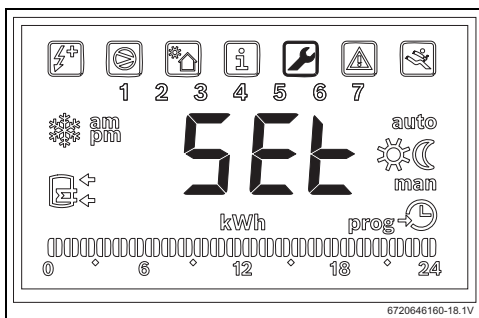


Fig. 15

- ▶ Appuyer sur « OK ».
Vous êtes maintenant dans le menu « Set - réglages ».

4.1 Système complémentaire direct - solaire ou chaudière

Seul un système complémentaire direct peut être sélectionné. Si deux systèmes ont été sélectionnés, seul celui qui a été sélectionné en dernier est actif.

Système auxiliaire : solaire « Sol »

Lorsque le système auxiliaire solaire est activé et que de l'énergie solaire est disponible, le système accordera la priorité au système auxiliaire solaire par rapport à la pompe à chaleur, conformément aux indices définis pour les valeurs « **delt** » et « **Tmin** ».

La puissance calorifique solaire disponible est directement liée à l'écarte de température entre l'entrée serpentin et l'eau dans le ballon. Plus la température de l'entrée serpentin est élevée par rapport à l'eau dans le ballon, plus la puissance calorifique thermique solaire disponible est importante. Parallèlement, plus la puissance calorifique disponible est importante, plus le temps de chauffage est court.

Ainsi, l'indice « **delt** » nous permet de définir la plage de performance minimum disponible sous laquelle l'utilisateur considère que les temps de chauffage ne sont plus acceptables et donc que le cycle de réfrigération de la pompe à chaleur doit être utilisé conjointement avec le système auxiliaire solaire.

Des valeurs « **delt** » plus élevées signifient que la pompe à chaleur sera activée plus régulièrement afin de garantir une meilleure performance disponible et, par conséquent, un chauffage plus rapide de l'eau. Des valeurs « **delt** » inférieures signifient que la pompe à chaleur ne se mettra en marche que si l'énergie solaire disponible est quasi-inexistante, garantissant ainsi de plus grandes économies, au risque de rallonger les temps de chauffage.

Si la température de l'entrée serpentin est inférieure à la température de l'eau dans le ballon, cela signifie qu'il n'y a pas d'énergie solaire disponible.

L'indice « **Tmin** » nous permet de définir la température de l'eau dans le ballon sous laquelle l'appareil se mettra en route (cycle de réfrigération ou chauffage électrique auxiliaire, selon les conditions et la configuration des indices), indépendamment de la puissance calorifique thermique solaire disponible (définie via l'indice « **Tmin** »). En d'autres termes, l'indice « **Tmin** » définit la température de l'eau sous laquelle l'utilisateur choisit d'accorder la priorité au confort et au temps de chauffage réduit par rapport aux économies réalisées en utilisant le système auxiliaire solaire. Lorsqu'une puissance calorifique thermique solaire est disponible, l'eau sera chauffée par le système thermique solaire conjointement avec le cycle de réfrigération ou le chauffage électrique auxiliaire.

Système auxiliaire : chaudière « Boil »

Lorsque la chaudière est activée comme système auxiliaire « **boil** », le système active la chaudière à chaque fois qu'il est nécessaire d'utiliser le chauffage électrique auxiliaire, à condition qu'une puissance calorifique soit disponible.

Tout comme pour le système auxiliaire solaire, l'indice « **delt** » nous permet de définir la plage de performance minimum disponible sous laquelle l'utilisateur considère que les temps de chauffage ne sont plus acceptables et donc que le chauffage électrique auxiliaire doit être utilisé conjointement avec la chaudière.

Des valeurs « **delt** » plus élevées signifient que le chauffage électrique auxiliaire sera activé plus régulièrement afin de garantir une meilleure performance disponible et, par conséquent, un chauffage plus rapide de l'eau. Des valeurs « **delt** » inférieures signifient que le chauffage électrique auxiliaire ne se mettra en marche que si la chaudière ne possède quasiment pas de puissance calorifique disponible, ce qui risque de rallonger les temps de chauffage.

Tout comme pour le système auxiliaire solaire, lorsque la chaudière est le système auxiliaire choisi, l'indice « **Tmin** » définit la température de l'eau dans le ballon en-dessous de laquelle l'appareil se mettra en route (cycle de réfrigération ou chauffage électrique auxiliaire, selon les conditions et la configuration des indices), indépendamment de la puissance calorifique disponible de la chaudière (définie via l'indice « **Tmin** »). Une fois que la chaudière a remplacé le chauffage électrique auxiliaire, la valeur **Tmin** aura un effet réel uniquement lorsque les conditions de fonctionnement du chauffage électrique seront remplies (par exemple : mode « **Elec** », température de l'eau supérieure à 60 °C, etc.). Dans ces situations, si la température de l'eau descend sous la valeur « **Tmin** » et si la puissance calorifique de la chaudière est disponible, le chauffage électrique fonctionne conjointement avec la chaudière.

4.1.1 Déterminer le système complémentaire

- Sélectionner le menu « **Coil** » avec les touches « + » ou « - ».

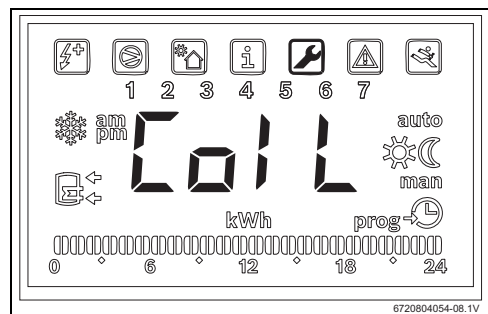


Fig. 16

- ▶ Appuyer sur « OK ».
L'écran affiche « **Type** »
Dans ce menu, il est possible de sélectionner un système complémentaire direct (installation solaire ou chaudière) et de régler les paramètres d'exploitation.

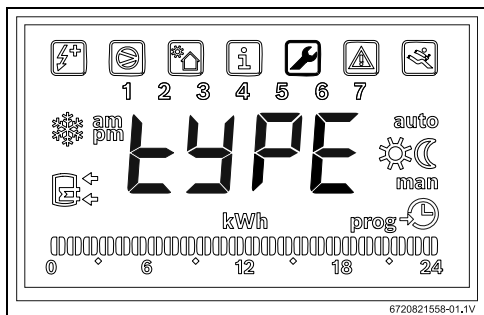


Fig. 17

- ▶ Appuyer sur « OK ».
- ▶ Utilisez les touches « + » ou « - » et sélectionnez « **OFF** », « **Sol** » ou « **Boil** » selon le type et selon que le système auxiliaire est utilisé ou non :
 - solaire « **Sol** »
 - chaudière « **Boil** »
- ▶ Appuyer sur « OK ».
Système complémentaire sélectionné.

4.1.2 Régler les paramètres d'exploitation du système complémentaire

« delta » - réglage de la différence de température à laquelle la pompe à chaleur (système Sol) ou l'élément de chauffage électrique (système Boil) démarre

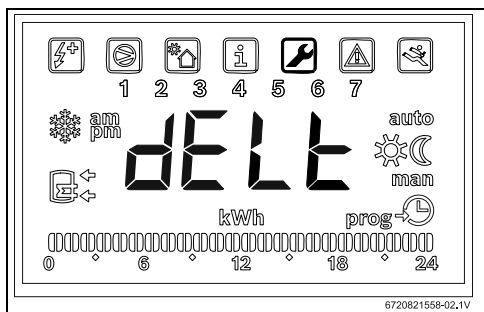


Fig. 18

Ce paramètre détermine à quelle différence de température entre la valeur mesurée dans le ballon et celle mesurée à l'entrée du serpentin, la pompe à chaleur ou l'élément de chauffage électrique démarre ($T = T_{\text{ballon}} - T_{\text{tuyau}}$).

La valeur peut être réglée entre 2 et 10 °C (réglage de base 6 °C).

- ▶ Accédez au menu « **Coil** ».
- ▶ Appuyez sur « ok ».
- ▶ Utilisez les touches « + » ou « - » et sélectionnez « **del**t ».
- ▶ Appuyer sur « OK ».
- ▶ Régler la valeur à l'aide des touches « + » et « - ».
- ▶ Appuyer sur « OK ».
La valeur souhaitée est maintenant configurée.

« tMin » - réglage de la valeur limite inférieure de la température d'eau dans le ballon à laquelle la pompe à chaleur démarre

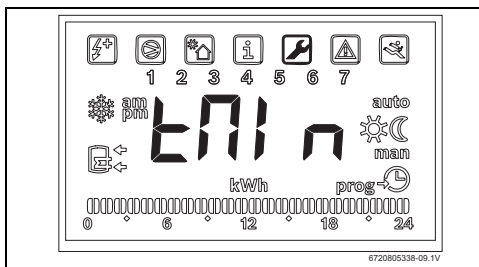


Fig. 19

Cet indice définit la température de l'eau dans le ballon en-dessous de laquelle la pompe à chaleur est activée, lorsque le système auxiliaire solaire est sélectionné.

La valeur peut se situer entre 20 et « $T_{\text{set}} - 3 \text{ °C}$ » (réglage de base 35 °C).

- ▶ Accédez au menu « **Coil** ».
- ▶ Appuyez sur « ok ».
- ▶ Utilisez les touches « + » ou « - » et sélectionnez « **tmin** ».
- ▶ Appuyer sur « OK ».
- ▶ Régler la valeur à l'aide des touches « + » et « - ».
- ▶ Appuyer sur « OK ».
La valeur souhaitée est maintenant configurée.



Lorsque l'appareil reconnaît qu'un système complémentaire est en fonctionnement (installation solaire, chaudière ou système photovoltaïque), « **Syst** » clignote à l'écran.

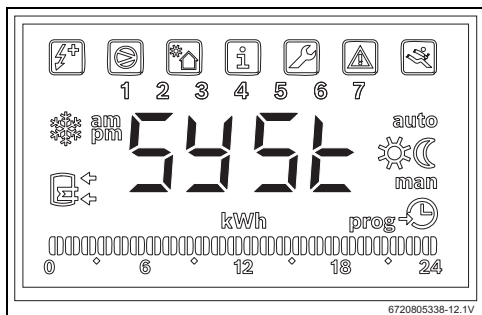


Fig. 20 Système auxiliaire activé

4.2 Système photovoltaïque

Cette fonction vous permet d'optimiser les économies d'énergie électrique en exploitant l'énergie produite par les panneaux photovoltaïques dès qu'une telle énergie est disponible. Pour cela, l'appareil vous permet d'étendre les conditions de fonctionnement en ligne à l'aide de l'indice « tMA » dès que de l'énergie photovoltaïque est disponible.

4.2.1 Activer le système auxiliaire photovoltaïque

- ▶ Sélectionner le menu « PHot » avec les touches « + » ou « - ».

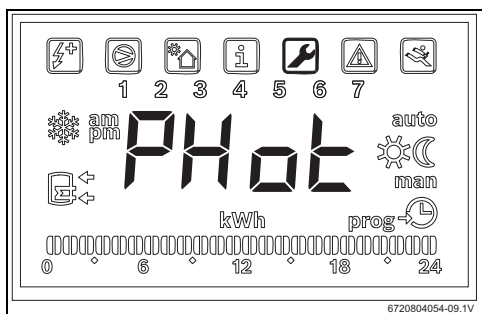


Fig. 21

- ▶ Appuyer sur « OK ». L'écran affiche « Status ». Ce menu permet de sélectionner le module photovoltaïque

en tant que système complémentaire, et de régler les paramètres d'exploitation.



Fig. 22

- ▶ Appuyer sur « OK ».
- ▶ Utilisez les touches « + » ou « - » et sélectionnez
 - « ON » : activer le système photovoltaïque
 - « OFF » : désactiver le système photovoltaïque
- ▶ Appuyer sur « OK ». La valeur souhaitée est maintenant configurée.

4.2.2 Régler les paramètres d'exploitation du système complémentaire

« Cont » - Régler le type d'onduleur du système complémentaire

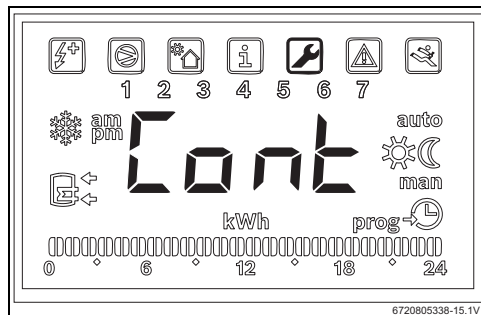


Fig. 23

Ce paramètre permet de régler le type d'onduleur du système complémentaire.

- ▶ Accédez au menu « Phot ».
- ▶ Appuyez sur « ok ».
- ▶ Utilisez les touches « + » ou « - » et sélectionnez « Cont ».
- ▶ Appuyer sur « OK ».
- ▶ Sélectionner « NO » ou « NC » à l'aide des touches « + » et « - » en fonction du type d'onduleur.
 - « NO » : onduleur avec contacts normalement ouverts

– « **NC** » : onduleur avec contacts normalement fermés

- ▶ Appuyer sur « OK ».
- Le type d'onduleur est réglé.
- L'écran affiche « **tMin** ».

« Prio » - Pour définir la priorité par rapport au système auxiliaire de la pompe à chaleur lorsque de l'énergie photovoltaïque est disponible

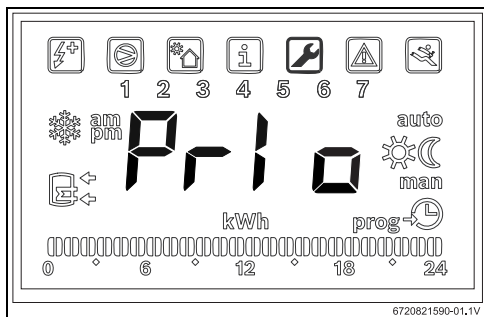


Fig. 24 Sous-menu « Prio »

Cet indice nous permet de sélectionner quel système auxiliaire de la pompe à chaleur a la priorité en cas de production d'énergie photovoltaïque et lorsque la température de l'air et de l'eau n'est pas adéquate pour le cycle de réfrigération.

- ▶ Accédez au menu « Phot ».
- ▶ Appuyez sur « ok ».
- ▶ Utilisez les touches « + » ou « - » et sélectionnez « **Prio** ».
- ▶ Appuyez sur « ok ».
- ▶ Utilisez les touches « + » ou « - » et sélectionnez « **P e** » ou « **P b** ».
 - « **P e** » : la priorité est donnée au chauffage électrique comme système auxiliaire de la pompe à chaleur lorsque de l'énergie photovoltaïque est disponible.
 - « **P b** » : la priorité est donnée à la chaudière comme système auxiliaire de la pompe à chaleur, même si de l'énergie photovoltaïque est disponible.
- ▶ Appuyez sur « ok ».
- Le système de priorité est maintenant défini.



Avant d'accorder la priorité au chauffage électrique, vérifiez que la puissance calorifique photovoltaïque installée est suffisante pour alimenter le chauffage électrique. Vérifiez la puissance thermique nominale du chauffage auxiliaire sur la plaque d'identification de l'appareil et appliquez une valeur au moins 10 % supérieure (tolérance type). Faites attention au rendement de l'installation photovoltaïque dans différentes conditions et à mesure qu'elle vieillit.

« tMin » - réglage de la valeur limite inférieure de la température d'eau dans le ballon à laquelle la pompe à chaleur démarre

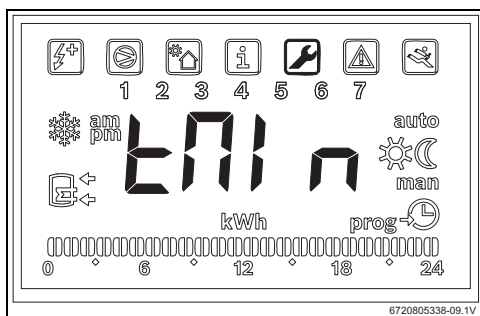


Fig. 25

Cet indice définit la valeur de température sous laquelle l'appareil fonctionne normalement, indépendamment du manque de production photovoltaïque. Lorsque la température de l'eau descend sous la valeur « **tMin** », même en l'absence de production photovoltaïque, l'appareil se met en marche si les conditions de démarrage sont réunies et continue à fonctionner jusqu'à ce qu'il atteigne la température consignée dans la mémoire. Avec cet indice, l'utilisateur définit le niveau de confort minimum en déterminant la température minimale que l'eau dans le ballon peut atteindre lorsque le système est en attente de production d'énergie photovoltaïque.

Cette valeur peut être définie entre 15 et 70 °C et doit toujours être inférieure ou égale à la température générale sélectionnée.



Les valeurs comprises entre 61 °C et 70 °C impliquent l'activation d'un système auxiliaire (chaudière ou chauffage électrique) à la place du cycle de réfrigération. En revanche, l'utilisation du chauffage électrique implique que celui-ci ait été sélectionné en priorité dans le sous-menu « **Prio** » et que la puissance calorifique photovoltaïque installée soit suffisante.

- ▶ Accédez au menu « **Phot** ».
 - ▶ Appuyez sur « ok ».
 - ▶ Utilisez les touches « + » ou « - » et sélectionnez « **Tmin** ».
 - ▶ Appuyez sur « OK ».
 - ▶ Régler la valeur à l'aide des touches « + » et « - ».
 - ▶ Appuyez sur « OK ».
- La valeur souhaitée est maintenant configurée.

« tMA » - Pour définir la température maximale de l'eau dans le ballon, température jusqu'à laquelle l'appareil fonctionne en présence d'une production photovoltaïque

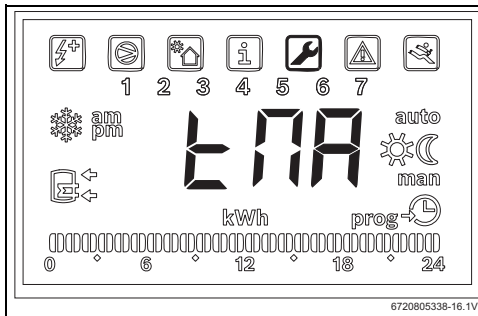


Fig. 26 Sous-menu « tMA »

Cet indice définit la température maximale de l'eau dans le ballon jusqu'à laquelle l'appareil utilise l'énergie photovoltaïque. Lorsque la fonction « **Phot** » est activée, l'appareil remplace la température sélectionnée mise en mémoire par cette valeur. Ainsi, l'appareil se met en marche dès que la température de l'eau dans le ballon descend sous les niveaux de mise en service et que la production d'énergie photovoltaïque est en cours. L'indice « **tMA** » peut être défini entre 50 °C et 70 °C. Plus la valeur est élevée, plus l'économie réalisée via le système de production photovoltaïque peut être importante.



Des valeurs « **tMA** » plus élevées permettent de stocker un volume plus important d'eau chaude sanitaire durant la production photovoltaïque. Cela permet d'optimiser les temps d'attente avant une nouvelle production photovoltaïque disponible, optimisant ainsi l'utilité économique des panneaux photovoltaïques.



Les valeurs supérieures à 60 °C ne peuvent être garanties qu'en utilisant un système auxiliaire (chaudière ou chauffage électrique). L'utilisation du chauffage électrique implique que celui-ci ait été sélectionné en priorité dans le sous-menu « **Prio** » et que la puissance calorifique photovoltaïque installée soit suffisante.

- ▶ Accédez au menu « **Phot** ».
 - ▶ Appuyez sur « ok ».
 - ▶ Utilisez les touches « + » ou « - » et sélectionnez « **tMA** ».
 - ▶ Appuyez sur « ok ».
 - ▶ Définissez la valeur à l'aide des touches « + » et « - ».
 - ▶ Appuyez sur « ok ».
- La température maximale de l'eau que l'appareil doit atteindre pendant la production photovoltaïque est maintenant définie.

Fonctionnement du système complémentaire



Lorsqu'un système auxiliaire (solaire, chaudière ou photovoltaïque) est utilisé, l'écran clignote par intermittence en affichant « **Syst** ».

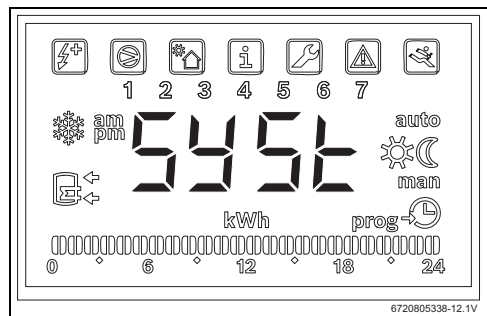


Fig. 27 Système auxiliaire en marche

5 Affichage

5.1 Défauts affichés sur l'écran

Ecran	Description	Solution
007	Sonde de température NTC du serpentin défectueuse	► Faire venir un spécialiste
008	Sonde de température NTC au centre du ballon défectueuse	► Faire venir un spécialiste

Tab. 2 Codes de défaut

6 Caractéristiques de température de la sonde NTC 10 K

Temp. (°C)	R (Ω)
-30	177 000
-25	130 370
-20	97 070
-15	72 929
-10	55 330
-5	42 315
0	32 650
5	25 388
10	19 900
15	15 708
20	12 490
25	10 000
30	8 057
35	6 531
40	5 327
45	4 369
50	3 603
55	2 986
60	2 488
65	2 083
70	1 752
75	1 481
80	1 258
85	1 072
90	917,7
95	788,5
100	680,0

Tab. 3

7 Protection de l'environnement et recyclage

La protection de l'environnement est un principe de base du groupe Bosch.

Nous accordons une importance égale à la qualité de nos produits, à leur rentabilité et à la protection de l'environnement. Les lois et prescriptions concernant la protection de l'environnement sont strictement observées.

Pour la protection de l'environnement, nous utilisons, tout en respectant les aspects économiques, les meilleures technologies et matériaux possibles.

Emballages

En matière d'emballages, nous participons aux systèmes de mise en valeur spécifiques à chaque pays, qui visent à garantir un recyclage optimal.

Tous les matériaux d'emballage utilisés respectent l'environnement et sont recyclables.

Appareils usagés

Les appareils usés contiennent des matériaux qui peuvent être réutilisés.

Les composants se détachent facilement. Les matières synthétiques sont marquées. Ceci permet de trier les différents composants en vue de leur recyclage ou de leur élimination.

Appareils électriques et électroniques usagés



Ce symbole signifie que le produit ne doit pas être éliminé avec les autres déchets, mais doit être acheminé vers des points de collecte de déchets pour le traitement, la collecte, le recyclage et l'élimination.

Le symbole s'applique aux pays concernés par les règlements sur les déchets électroniques, par ex. la « Directive européenne 2012/19/CE sur les appareils électriques et électroniques usagés ». Ces règlements définissent les conditions-cadres qui s'appliquent à la reprise et au recyclage des appareils électroniques usagés dans certains pays.

Comme les appareils électroniques peuvent contenir des substances dangereuses, ils doivent être recyclés de manière responsable pour réduire les éventuels dommages environnementaux et risques pour la santé humaine. De plus, le recyclage des déchets électroniques contribue à préserver les ressources naturelles.

Pour de plus amples informations sur l'élimination écologique des appareils électriques et électroniques usagés, veuillez contacter l'administration locale compétente, les entreprises chargées de l'élimination des déchets ou les revendeurs, auprès desquels le produit a été acheté.

Des informations complémentaires sont disponibles ici : www.weee.bosch-thermotechnology.com/




Índice de contenidos

1	Explicación de símbolos e indicaciones de seguridad	47
1.1	Explicación de los símbolos	47
1.2	Indicaciones de seguridad	47
2	Datos sobre el producto	48
2.1	Uso conforme al empleo previsto	48
2.2	Volumen de suministro	48
3	Instalación	48
3.1	Fijar la caja de bornes a la bomba de calor	48
3.2	Conexión del cable de comunicación al aparato	49
3.3	Conexiones para sensores de temperatura en la caja de bornes	49
3.4	Conexiones "Bomba de calor - sistema solar"	50
3.5	Conexiones "Bomba de calor - caldera"	51
3.6	Conexiones "Bomba de calor - sistema fotovoltaico"	52
4	Programación	53
4.1	Sistema de apoyo directo - Energía solar térmica o caldera	53
4.1.1	Establecer sistema de apoyo	54
4.1.2	Ajustar los parámetros de funcionamiento del sistema de apoyo	54
4.2	Sistema fotovoltaico	55
4.2.1	Activar el sistema fotovoltaico auxiliar	55
4.2.2	Ajustar los parámetros de funcionamiento del sistema de apoyo	56
5	Pantalla	58
5.1	Averías que se muestran en el display	58
6	Características de temperatura del sensor NTC 10 K	58
7	Protección del medio ambiente y eliminación de residuos	59

1 Explicación de símbolos e indicaciones de seguridad

1.1 Explicación de los símbolos

Advertencias




Las advertencias están marcadas en el texto con un triángulo. Adicionalmente las palabras de señalización indican el tipo y la gravedad de las consecuencias que conlleva la inobservancia de las medidas de seguridad indicadas para evitar riesgos.

Las siguientes palabras de señalización están definidas y pueden utilizarse en el presente documento:

- **AVISO** advierte sobre la posibilidad de que se produzcan daños materiales.
- **ATENCIÓN** advierte sobre la posibilidad de que se produzcan daños personales de leves a moderados.
- **ADVERTENCIA** advierte sobre la posibilidad de que se produzcan daños personales de graves a mortales.
- **PELIGRO** advierte sobre daños personales de graves a mortales.

Información importante



La información importante que no conlleve riesgos personales o materiales se indicará con el símbolo que se muestra a continuación.

Otros símbolos

Símbolo	Significado
▶	Procedimiento
→	Referencia cruzada a otro punto del documento
•	Enumeración/punto de la lista
–	Enumeración/punto de la lista (2º. nivel)

Tab. 1

1.2 Indicaciones de seguridad

Instalación y puesta en marcha

- ▶ Tener en cuenta la documentación técnica del aparato y de los accesorios para garantizar un funcionamiento correcto.
- ▶ La instalación del aparato la realizará únicamente el servicio técnico autorizado.

¡Peligro de muerte por corriente eléctrica!

- ▶ Asegurarse de que los trabajos eléctricos solo son realizados por una empresa autorizada.
- ▶ Los trabajos en instalaciones eléctricas deberán realizarse según las disposiciones legales vigentes.

Informaciones para el usuario

- ▶ El instalador debe informar al cliente acerca del funcionamiento de la instalación e instruirle el manejo.
- ▶ Indicar al cliente que los trabajos de mantenimiento o las modificaciones en la instalación sólo deben ser realizados por personal especializado con certificación.

Piezas de repuesto

- ▶ Utilizar únicamente piezas de repuesto originales.

Seguridad de aparatos eléctricos para el uso doméstico y fines similares

Para evitar peligros en aparatos eléctricos son válidas las siguientes normas, según EN 60335-1:

“Este aparato puede ser utilizado por niños a partir de 8 años y por personas con las capacidades físicas, sensoriales o mentales mermadas o que carezcan de experiencia y conocimiento siempre y cuando estén bajo la supervisión de otra persona o hayan sido instruidos sobre el manejo seguro del aparato y comprendan los peligros que de él pueden derivarse. Los niños no deben jugar con el aparato. Los niños sin supervisión no deben llevar a cabo la limpieza ni el mantenimiento de usuario.”

“Si el cable de conexión a red sufre daños, tendrá que ser sustituido por el fabricante, su servicio técnico u otra persona igualmente calificada para evitar peligros.”

2 Datos sobre el producto

2.1 Uso conforme al empleo previsto

Este accesorio permite la integración de sistemas de apoyo para la producción de agua caliente seleccionando la fuente de energía más eficiente y rentable.

Los accesorios pueden ser usados para una fuente directa de energía, p.ej. energía solar térmica, calderas, etc. así como una fuente de energía indirecta como instalaciones fotovoltaicas.

- ▶ El aparato deberá destinarse exclusivamente a los fines establecidos.
- ▶ En la instalación y durante el servicio, tenga en cuenta las directrices y normas nacionales específicas.

2.2 Volumen de suministro

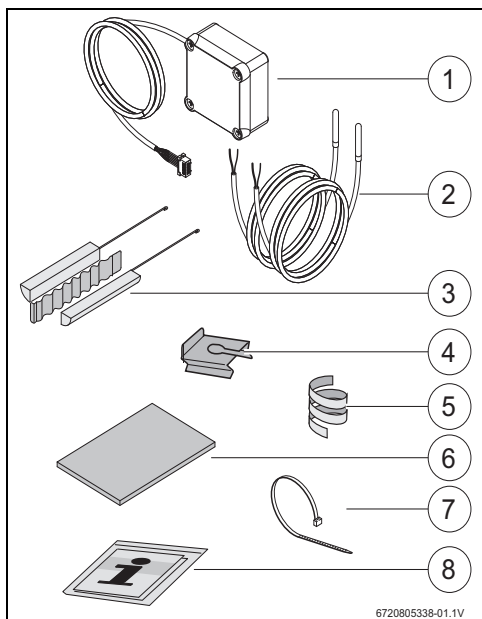


Fig. 1 7736503876: Posición 1 y 8
7736503877: Posición 1 a 8

- [1] Caja de bornes y cable de comunicación para la bomba de calor
- [2] Sonda de temperatura NTC (2x)
- [3] Juego de montaje para sensor de temperatura NTC
- [4] Clip de fijación
- [5] Espiral de plástico (fijación del sensor de temperatura NTC)
- [6] Aislamiento térmico
- [7] Brida (3x)
- [8] Documentación técnica

3 Instalación



La instalación del aparato, la conexión eléctrica, el montaje de los sistemas de aire de salida y de entrada, así como la puesta en marcha solo deben llevarse a cabo por un servicio técnico aprobado y autorizado por el fabricante.



PELIGRO: ¡Electrocución!

Antes de realizar trabajos en el sistema eléctrico, desconectar el aparato por medio de un fusible, seccionador u otro dispositivo de protección.



PELIGRO: Electrocución.

El condensador eléctrico debe descargarse tras la desconexión del aparato.

- ▶ Esperar al menos 5 min.



PELIGRO: ¡Electrocución!

Los cables de conexión defectuosos solo deben ser sustituidos por un servicio técnico autorizado para garantizar el cumplimiento de todos los requisitos de seguridad.

3.1 Fijar la caja de bornes a la bomba de calor

- ▶ Fijar la caja de bornes entre los adhesivos y las conexiones de agua con la cinta adhesiva suministrada. El cable de comunicación debe estar orientado hacia arriba.

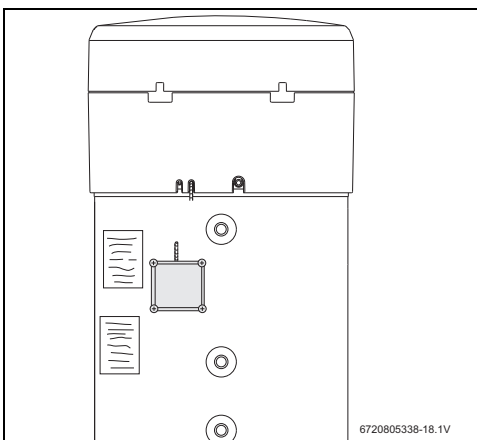


Fig. 2

3.2 Conexión del cable de comunicación al aparato

- ▶ Retirar el recubrimiento superior y el anillo inferior del aparato.
- ▶ Colocar el cable de comunicación en la muesca al lado del cable de conexión a red del aparato.
- ▶ Fijar el cable en la muesca en toda la longitud.

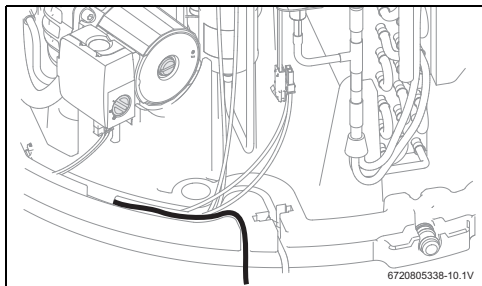


Fig. 3

- ▶ Conectar el cable de comunicación al aparato de control del aparato.

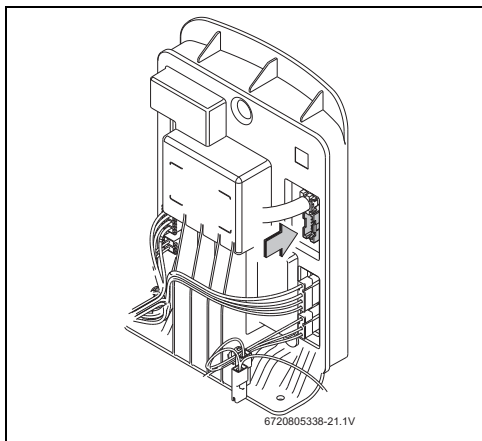


Fig. 4

3.3 Conexiones para sensores de temperatura en la caja de bornes

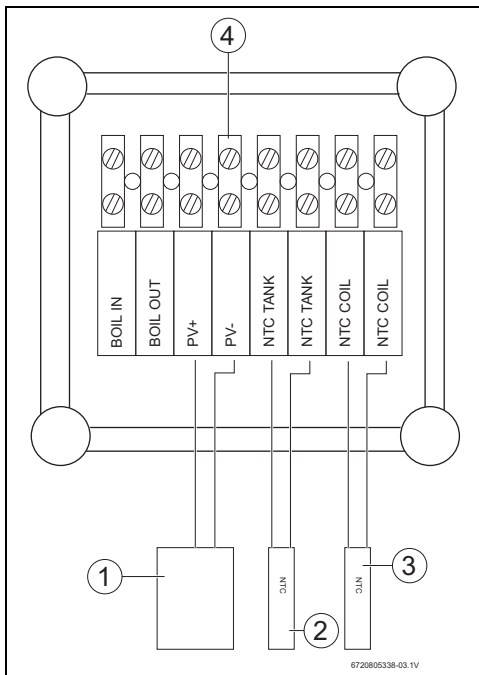


Fig. 5

- [1] Contacto ON/OFF del inversor solar
- [2] Sensor de temperatura NTC (vaina de inmersión en medio del acumulador)
- [3] Sensor de temperatura NTC (entrada en el serpentín del sistema de apoyo)
- [4] Bornera en la caja de bornes

3.4 Conexiones "Bomba de calor - sistema solar"

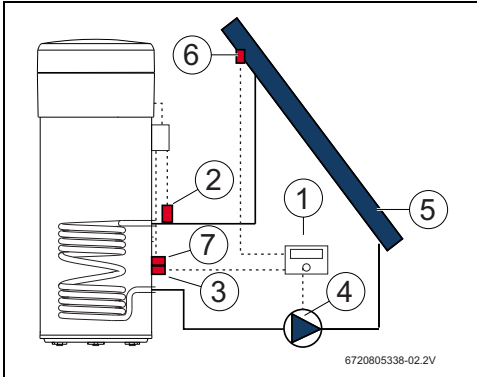


Fig. 6

- [1] Programador solar
- [2] Sensor de temperatura NTC (NTC COIL - entrada en el serpentín)
- [3] Sensor de temperatura NTC del programador solar (en el centro del acumulador)
- [4] Bomba
- [5] Colector solar
- [6] Sensor de temperatura NTC del colector solar
- [7] Sensor de temperatura NTC (NTC TANK - centro del acumulador)

Conectar el sensor de temperatura en el centro del acumulador

- i** Asegurar un buen contacto entre el sensor de temperatura y el acumulador.
 - ▶ Asegurarse de que el sensor de temperatura está colocado correctamente en la vaina de inmersión para que la temperatura se mida correctamente.

- ▶ Montar el juego de montaje [1], el sensor de temperatura NTC del accesorio [2] y el sensor de temperatura NTC del regulador [3] y posicionarlo tal como se lo visualiza en la imagen 7.
- ▶ Introducir el sensor de temperatura en la vaina de inmersión hasta el tope.
- ▶ Fijar con la brida suministrada.
- ▶ Fijar el clip de fijación [4].
- ▶ Conectar el sensor de temperatura NTC en la caja de bornes a los bornes "NTC TANK".

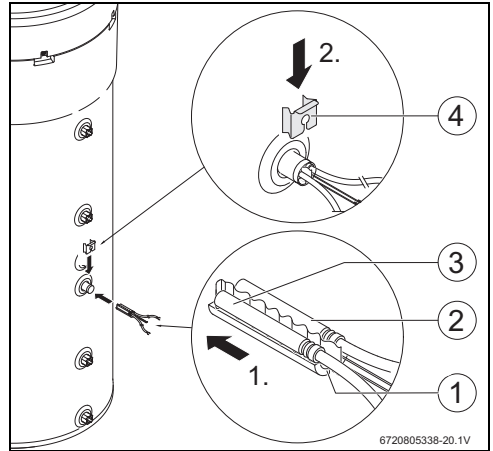


Fig. 7

Conectar el sensor de temperatura en la entrada del serpentín

- i** Asegurar un buen contacto entre el sensor de temperatura y la entrada del serpentín
 - ▶ Aislar térmicamente el sensor de temperatura para que la temperatura se mida correctamente en la entrada del serpentín.
- ▶ Posicionar el sensor de temperatura NTC del accesorio [1] tal como se lo visualiza en la imagen 8.
- ▶ Fijar el sensor de temperatura NTC con la espiral de plástico adjunta [2] en el tubo de agua.
- ▶ Envolver el sensor de temperatura con material aislante [3].
- ▶ Fijar el aislamiento con las 2 bridas para cables [4].
- ▶ Conectar el sensor de temperatura NTC en la caja de bornes a los bornes "NTC COIL".

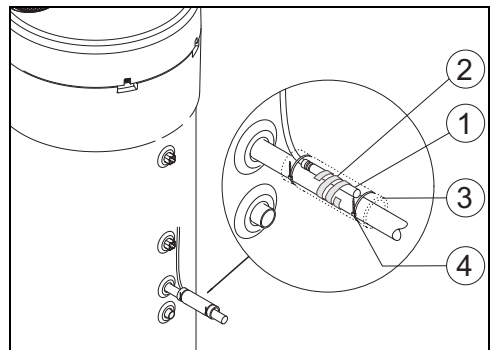


Fig. 8

3.5 Conexiones "Bomba de calor - caldera"



Conexión sólo posible en caso de calderas con posibilidad de conexión al acumulador.



Para esta conexión se necesita un cable de 2 hilos (no incluido en el volumen de suministro).

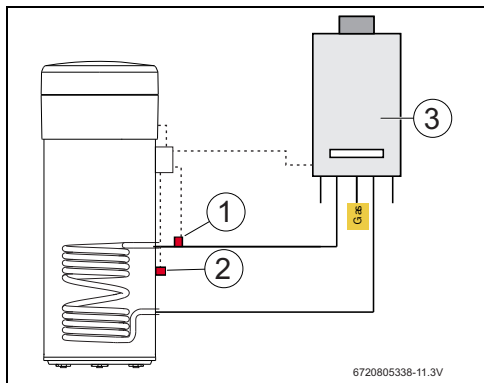


Fig. 9

- [1] Sensor de temperatura NTC (entrada del serpentín)
- [2] Sensor de temperatura NTC (en el centro del acumulador)
- [3] Caldera

Conexión de sensor de temperatura NTC de la caldera

- ▶ Retirar el sensor de temperatura NTC [1] del acumulador de la caldera .
- ▶ Conectar los dos hilos del cable adicional [2] a las conexiones del acumulador NTC.
- ▶ Conectar un final del hilo libre del cable adicional al borne "BOIL OUT" de la caja de bornes.
- ▶ Conectar el otro final del hilo libre del cable adicional al borne "BOIL IN" de la caja de bornes.

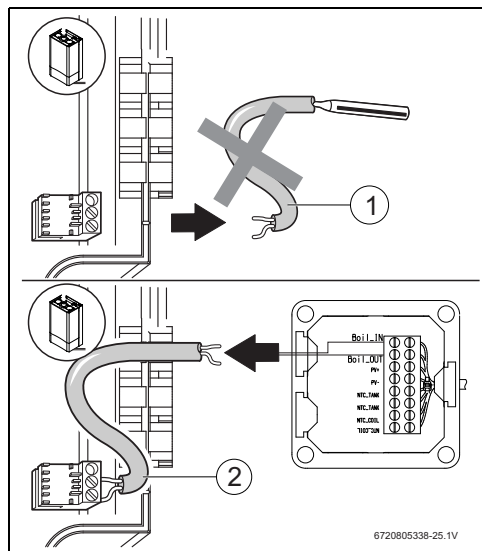


Fig. 10

Conectar el sensor de temperatura en el centro del acumulador



Asegurar un buen contacto entre el sensor de temperatura y el acumulador.

- ▶ Asegurarse de que el sensor de temperatura está colocado correctamente en la vaina de inmersión para que la temperatura se mida correctamente.

- ▶ Montar el juego de montaje [1], el sensor de temperatura NTC del accesorio [2] y posicionarlo tal como se lo visualiza en la imagen 11.
- ▶ Introducir el sensor de temperatura en la vaina de inmersión hasta el tope.
- ▶ Fijar con la brida suministrada.
- ▶ Fijar el clip de fijación [3].
- ▶ Conectar el sensor de temperatura NTC en la caja de bornes a los bornes "NTC TANK".

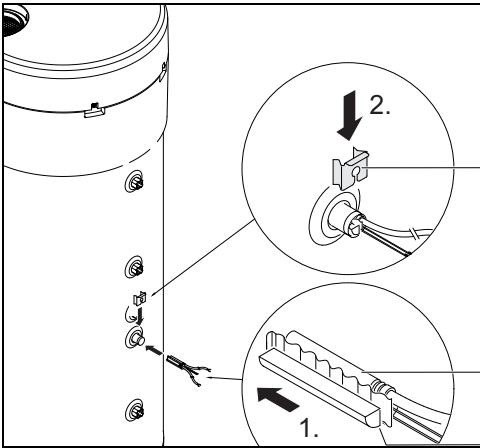


Fig. 11

Conectar el sensor de temperatura en la entrada del serpentín



Asegurar un buen contacto entre el sensor de temperatura y la entrada del serpentín

- ▶ Aislar térmicamente el sensor de temperatura para que la temperatura se mida correctamente en la entrada del serpentín.

- ▶ Posicionar el sensor de temperatura NTC del accesorio [1] tal como se lo visualiza en la imagen 12.
- ▶ Fijar el sensor de temperatura NTC con la espiral de plástico adjunta [2] en el tubo de agua.

- ▶ Envolver el sensor de temperatura con material aislante [3].
- ▶ Fijar el aislamiento con las 2 bridas para cables [4].
- ▶ Conectar los bornes del sensor de temperatura NTC en la caja de bornes a los bornes "NTC COIL".

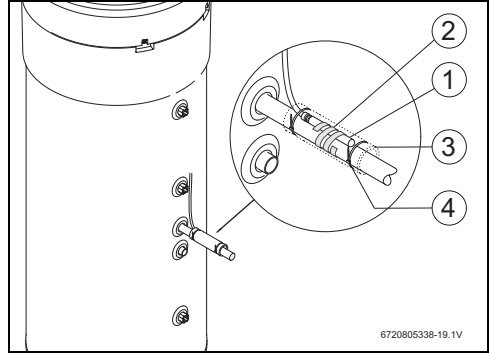


Fig. 12

3.6 Conexiones "Bomba de calor - sistema fotovoltaico"

- ▶ Conectar un cable en la caja de bornes en el borne "PV+".
- ▶ Conectar un cable en la caja de bornes en el borne "PV-".

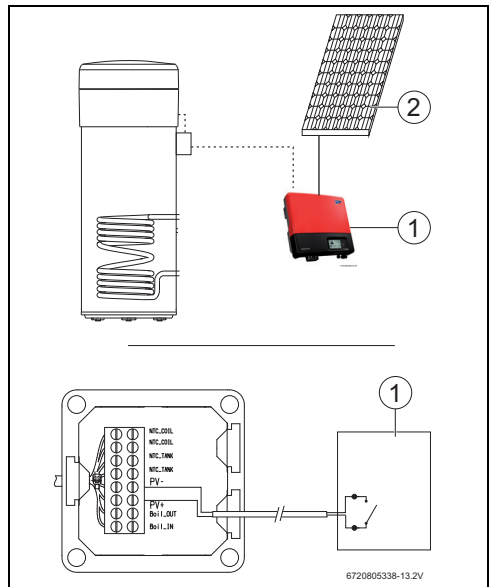


Fig. 13

- [1] Inversor
- [2] Módulo solar

4 Programación



Tener en cuenta la documentación de la bomba de calor.

Entradas en el menú "Set" - Ajustes

- Pulsar la tecla "Menú" durante un máximo de 3 segundos.

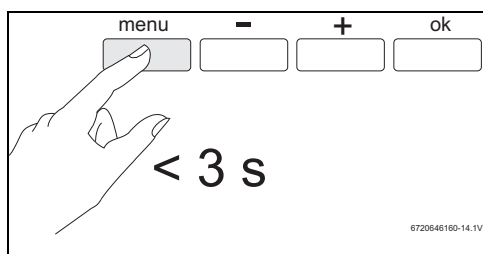


Fig. 14

- Acceder al menú "Set" con las teclas "+" o "-".

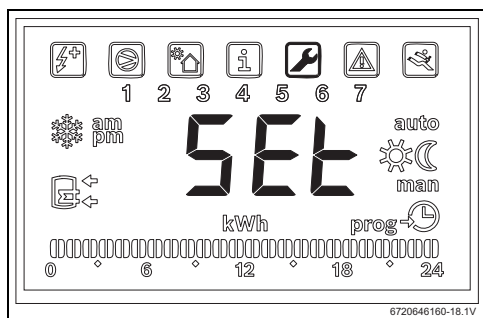


Fig. 15

- Pulsar la tecla "OK".
Ahora se encuentra en el menú "Set - Ajustes".

4.1 Sistema de apoyo directo - Energía solar térmica o caldera

Solo puede seleccionarse un sistema de apoyo directo.

Si se seleccionan dos sistemas de apoyo, solo está activo el que se ha seleccionado último.

Sistema auxiliar: solar -"Sol"

Al activar el sistema solar auxiliar, siempre y cuando esté disponible energía solar, el sistema determinará la prioridad al sistema solar auxiliar en vez de la bomba de calor y según los parámetros fijados para el "delt" y "Tmin".

La potencia calorífica disponible está directamente relacionada al salto térmico entre la resistencia y el agua en el cilindro. Cuanto mayor es la temperatura de la resistencia en relación al agua en el cilindro, mayor es la capacidad de la calefacción solar disponible. Por otro lado, cuanto mayor es la potencia calorífica disponible, más se reduce el tiempo de calefacción.

De esta manera, el parámetro "delt" permite definir el mínimo rango de rendimiento disponible, debajo del cual el usuario considera que los tiempos de calefacción no pueden ser aceptables y que es necesario activar el ciclo de la bomba debe ser usado junto con el sistema solar auxiliar.

Valores "delt" mayores significan que se activará la bomba de calor con mayor regularidad a fin de garantizar un mejor rendimiento disponible y, como resultado, un calentamiento más rápido de agua. Valores "delt" menores significan que la bomba de calor sólo iniciará si prácticamente no consta energía solar y, por lo tanto garantiza una mejor economía, a pesar de que ello pueda causar tiempos más prolongados de calefacción.

Si la temperatura de la resistencia es menor que la temperatura del agua en el cilindro, significa que no se encuentra disponible energía solar.

El parámetro "Tmin" permite definir la temperatura del agua en el cilindro debajo de la cual se activará el aparato (ciclo de refrigeración o dispositivo de calentamiento eléctrico auxiliar, dependiendo de las condiciones y los ajustes de los parámetros) independientemente de la potencia calorífica solar (definida mediante los parámetros "Tmin"). En otras palabras, el parámetro "Tmin" define la temperatura del agua, debajo del cual el usuario elegirá dar prioridad al confort y al tiempo de calefacción reducido a diferencia de la economía obtenida usando el sistema solar auxiliar. En caso de estar disponible una capacidad calefactora solar, se calentará el agua mediante el sistema solar térmico junto con el ciclo de refrigeración o la calefacción eléctrica auxiliar.

Sistema auxiliar: caldera "Boil"

Si se activa la caldera como sistema auxiliar "boil", siempre y cuando sea necesario utilizar el calefactor eléctrico auxiliar, el sistema activará la caldera, en caso de que esté disponible una potencia calorífica.

Similar al sistema auxiliar solar, el parámetro "delt" permite definir el mínimo rango de rendimiento disponible, debajo del cual el usuario considera que los tiempos de calefacción no pueden ser aceptables y que es necesario activar el calefactor eléctrico auxiliar junto con la caldera.

Valores "delt" mayores significan que se activará la calefacción eléctrica auxiliar con mayor regularidad a fin de garantizar un mejor rendimiento disponible y, como resultado, un calentamiento más rápido de agua. Valores "delt" menores significan que la calefacción eléctrica auxiliar sólo iniciará si la caldera

prácticamente carece de capacidad calefactora, lo cual puede causar tiempos mayores de calentamiento.

Similarmente al sistema solar auxiliar, cuando la caldera sea el sistema auxiliar elegido, el parámetro "Tmin" define la temperatura del agua en el cilindro, debajo de la cual se activará el aparato (ciclo de refrigeración o calefacción eléctrica auxiliar, dependiendo de las condiciones y los ajustes de los parámetros), independientemente de la potencia calorífica disponible de la caldera (definido mediante el parámetro "Tmin"). Una vez que la caldera sustituyó el calefactor eléctrico auxiliar, el parámetro sólo tendrá un efecto práctico si constan las condiciones para el funcionamiento del cuerpo de calefacción (por ejemplo: modo "Elec", temperatura de agua sobre los 60°C, etc.). En estas situaciones, cuando la temperatura de agua cae debajo de "Tmin", y, en caso de que esté disponible una capacidad calefactora suficiente en la caldera, la calefacción eléctrica trabaja conjuntamente con la caldera.

4.1.1 Establecer sistema de apoyo

- ▶ Acceder al menú "Coil" con las teclas "+" o "-".

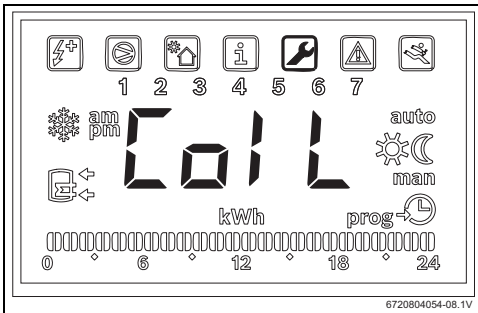


Fig. 16

- ▶ Pulsar la tecla "OK".
La pantalla indica "Type".
En este menú se puede seleccionar un sistema de apoyo directo (instalación solar o caldera) y ajustar los parámetros de funcionamiento.

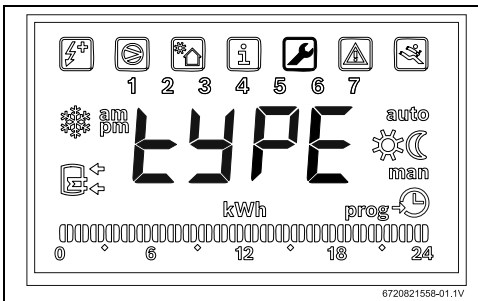


Fig. 17

- ▶ Pulsar la tecla "OK".
- ▶ Utilizar las teclas "+" o "-" y elegir "OFF", "Sol" o "Boil", según la cual se activa un cierto tipo y un sistema auxiliar:
 - solar "Sol"
 - caldera "Boil"
- ▶ Pulsar la tecla "OK".
Se seleccionó el sistema de apoyo.

4.1.2 Ajustar los parámetros de funcionamiento del sistema de apoyo

"delt" - Ajuste de la diferencia de temperatura, en la que se conecta la bomba de calor (sistema solar) o el elemento de calefacción (sistema Boil)

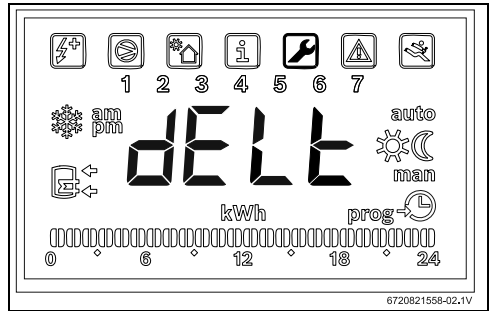


Fig. 18

Con este parámetro se determina con qué diferencia de temperatura entre la temperatura medida en el acumulador y la temperatura en la entrada del serpentín inicia la bomba de calor o el elemento calefactor eléctrico ($T = T_{\text{Acumulador}} - T_{\text{Tubo}}$). El valor puede ajustarse entre 2 y 10 °C (ajuste de fábrica 6 °C).

- ▶ Acceder al menú "Coil".
- ▶ Pulsar "ok".
- ▶ Usar las teclas "+" o "-" para elegir "delt".
- ▶ Pulsar la tecla "OK".
- ▶ Ajustar el valor con las teclas "+" y "-".
- ▶ Pulsar la tecla "OK".
El valor deseado está fijado.

"tMin" - Ajustar el valor límite inferior de la temperatura del agua en el acumulador en el que la bomba de calor se enciende

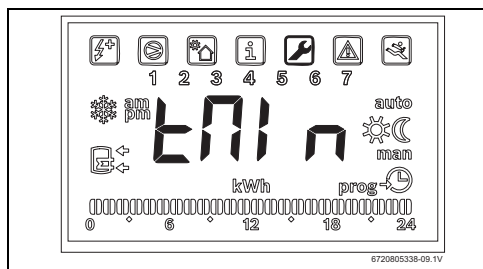


Fig. 19

Este parámetro define la temperatura del agua en el cilindro, debajo de la cual se activará la bomba de calor si se activó el sistema solar auxiliar.

El valor puede constar entre 20 y "T_{set} - 3 °C" (ajuste de fábrica 35 °C).

- ▶ Acceder al menú "**Coil**".
 - ▶ Pulsar "ok".
 - ▶ Usar las teclas "+" o "-" para elegir "**tmin**".
 - ▶ Pulsar la tecla "OK".
 - ▶ Ajustar el valor con las teclas "+" y "-".
 - ▶ Pulsar la tecla "OK".
- El valor deseado está fijado.

i En caso de que el aparato reconozca que está activado un sistema de apoyo (sistema solar, caldera o sistema fotovoltaico) se visualiza en la pantalla "**Syst**".

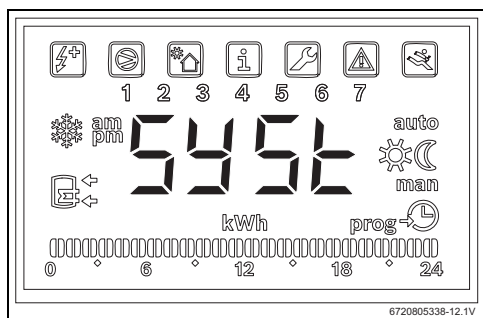


Fig. 20 Sistema auxiliar activado

4.2 Sistema fotovoltaico

Esta función permite maximizar el ahorro de energía eléctrica, sacando ventaja de la energía producida por los paneles foto-

voltáicos, siempre que esto esté disponible. Para ello, el aparato permite ampliar las condiciones operativas en línea con los parámetros "**tMA**" siempre y cuando esté disponible energía fotovoltaica.

4.2.1 Activar el sistema fotovoltaico auxiliar

- ▶ Acceder al menú "**PHot**" con las teclas "+" o "-".

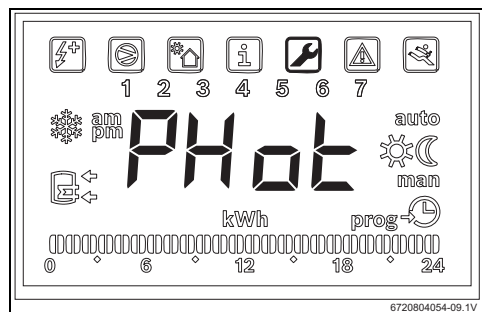


Fig. 21

- ▶ Pulsar la tecla "OK".
 - ▶ El display muestra "**Stat**".
- En este menú se puede seleccionar el módulo fotovoltaico como sistema de apoyo y ajustar los parámetros de funcionamiento.

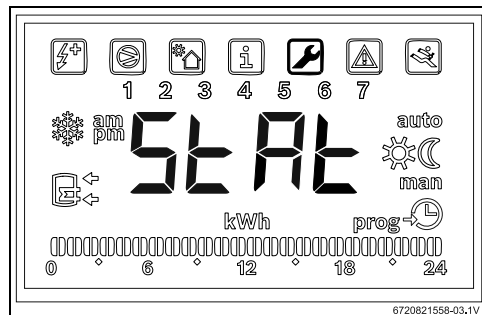


Fig. 22

- ▶ Pulsar la tecla "OK".
 - ▶ Usar las teclas "+" o "-" para elegir
 - "**ON**": activa el sistema fotovoltaico
 - "**OFF**": desactiva el sistema fotovoltaico
 - ▶ Pulsar la tecla "OK".
- El valor deseado está fijado.

4.2.2 Ajustar los parámetros de funcionamiento del sistema de apoyo

"Cont" - Ajustar el tipo de inversor del sistema de apoyo

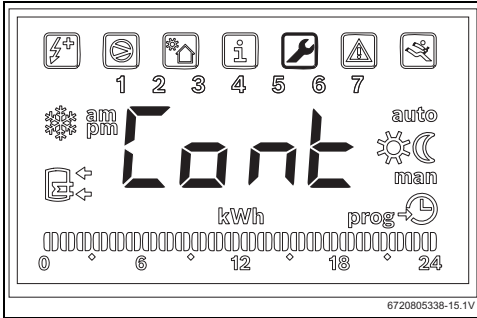


Fig. 23

Con este parámetro se ajusta el tipo de inversor del sistema de apoyo.

- ▶ Acceso al menú "Phot".
- ▶ Pulsar "ok".
- ▶ Usar las teclas "+" o "-" para elegir "Cont".
- ▶ Pulsar la tecla "OK".
- ▶ Dependiendo del tipo del inversor "NO" o "NC", seleccionar con las teclas "+" o "-".
 - "NO": Inversor con contactos normalmente abiertos
 - "NC": Inversor con contactos normalmente cerrados
- ▶ Pulsar la tecla "OK".
Tipo de inverso está ajustado.
La pantalla visualiza "tMin".

"Prio" - Para fijar la prioridad en relación al sistema auxiliar de la bomba de calor, en caso de estar disponible energía fotovoltaica

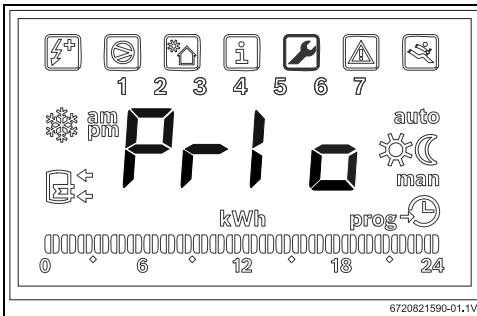


Fig. 24 Submenú "Prio"

Este parámetro permite elegir el sistema auxiliar de la bomba de calor que debe tener prioridad en caso de haber una produc-

ción de energía fotovoltaica y la temperatura de aire y de agua no son apropiadas para el ciclo de refrigeración.

- ▶ Acceso al menú "Phot".
- ▶ Pulsar "ok".
- ▶ Usar las teclas "+" o "-" para elegir "Prio".
- ▶ Pulsar "ok".
- ▶ Usar las teclas "+" o "-" para elegir "Pe" o "Pb".
 - "Pe": prioridad fijada a la calefacción eléctrica como sistema auxiliar de bomba de calor si está disponible la energía fotovoltaica.
 - "Pb"

"i": prioridad fijada a la caldera como sistema auxiliar de bomba de calor aun si está disponible la energía fotovoltaica.

- ▶ Pulsar "ok".
Se define el sistema prioritario.



Antes de dar la prioridad a la calefacción eléctrica, asegurarse que haya suficiente rendimiento fotovoltaico instalado para suplir la calefacción eléctrica. Controlar la potencia nominal de la calefacción eléctrica en la placa de especificación del aparato y considerar un valor que, por lo menos, sea 10% mayor (tolerancia típica). Poner atención a la eficiencia de la instalación fotovoltaica en condiciones diferentes y conforme va envejeciendo.

"tMin" - Ajustar el valor límite inferior de la temperatura del agua en el acumulador en el que la bomba de calor se enciende

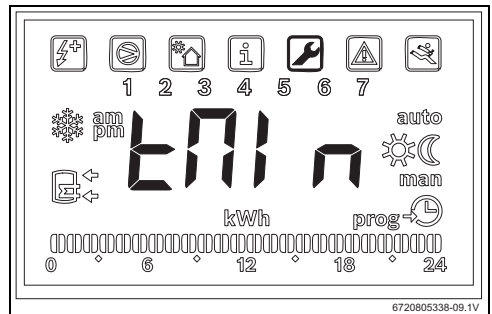


Fig. 25

Este parámetro define el valor de temperatura, debajo del cual se activa el aparato de manera normal, independientemente de alguna falta de producción fotovoltaica. Si la temperatura de agua cae debajo del valor "tMin", aun si no consta una producción fotovoltaica, el aparato iniciará si constan las condiciones de arranque y continuará funcionando hasta que alcance la temperatura fijada en la memoria. Con este parámetro, el usua-

rio ajusta el mínimo nivel de confort, definiendo la temperatura mínima que debe tener el agua en el cilindro mientras el sistema está esperando a la producción de energía fotovoltaica.

Este valor puede ajustarse entre 15 y 70°C y siempre debe ser menor o igual que la temperatura general elegida.



Valores entre 61 °C y 70 °C implican la activación de un sistema auxiliar (caldera o calefacción eléctrica) en vez del ciclo de refrigeración. No obstante, el uso de la calefacción eléctrica implica que ha sido activada como prioritativa en el submenú "Prio" y que haya suficiente rendimiento fotovoltaico instalado.

- ▶ Acceso al menú "Phot".
- ▶ Pulsar "ok".
- ▶ Usar las teclas "+" o "-" para elegir "Tmin".
- ▶ Pulsar la tecla "OK".
- ▶ Ajustar el valor con las teclas "+" y "-".
- ▶ Pulsar la tecla "OK".
El valor deseado está fijado.

"tMA" - Para fijar la temperatura máxima para el agua en el cilindro hasta el cual debe funcionar el aparato mientras conste una producción fotovoltaica

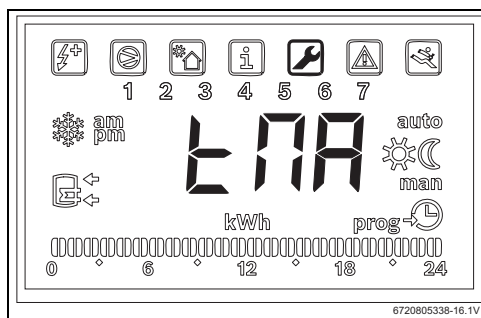


Fig. 26 Submenú "tMA"

Este parámetro define la temperatura máxima para el agua en el cilindro hasta el cual el aparato debe usar energía fotovoltaica. Si se activa la función "Phot", el aparato sustituye la temperatura elegida que se encuentra con este valor en la memoria. El aparato iniciará cuando la temperatura del agua en el cilindro caiga debajo de los niveles de puesta en marcha y conste una producción fotovoltaica.

El parámetro "tMA" puede fijarse entre 50 °C y 70 °C. Cuanto mayor el valor, tanto mayor el ahorro que se puede alcanzar mediante el sistema de producción fotovoltaico.



Valores "tMA" mayores permiten almacenar un volumen mayor de agua caliente doméstica en tanto que esté disponible la producción fotovoltaica. Esto permite maximizar los tiempos de espera hasta que nuevamente esté a la disposición la producción fotovoltaica, maximizando el uso económico de los paneles fotovoltaicos.



Valores sobre los 60 °C sólo pueden ser garantizados, usando un sistema auxiliar (caldera o calefacción eléctrica). El uso de la calefacción eléctrica implica que ha sido activada como prioritativa en el submenú "Prio" y que haya suficiente rendimiento fotovoltaico instalado.

- ▶ Acceso al menú "Phot".
- ▶ Pulsar "ok".
- ▶ Usar las teclas "+" o "-" para elegir "tMA".
- ▶ Pulsar "ok".
- ▶ Fijar el valor, usando las teclas "+" y "-".
- ▶ Pulsar "ok".
Se habrá fijado la temperatura máxima a alcanzar por el aparato mientras conste una producción fotovoltaica.

Funcionamiento del sistema de apoyo



En caso de utilizar un sistema auxiliar (solar, caldera o fotovoltaico), la pantalla parpadea intermitentemente con el aviso "Syst".

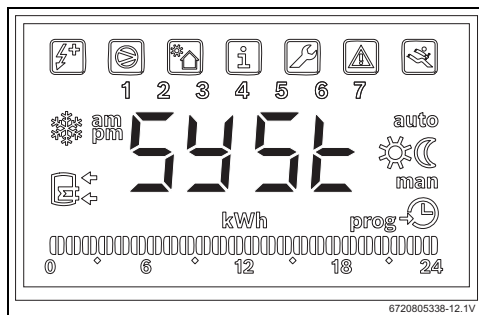


Fig. 27 Sistema auxiliar activado

5 Pantalla

5.1 Averías que se muestran en el display

Pantalla	Descripción	Remedio
007	Sensor de temperatura NTC del serpentín de tubo defectuoso	► Solicitar el apoyo de un técnico
008	Sensor de temperatura NTC en el centro del acumulador defectuoso	► Solicitar el apoyo de un técnico

Tab. 2 Códigos de error

6 Características de temperatura del sensor NTC 10 K

Temp. (°C)	R (Ω)
-30	177000
-25	130370
-20	97070
-15	72929
-10	55330
-5	42315
0	32650
5	25388
10	19900
15	15708
20	12490
25	10000
30	8057
35	6531
40	5327
45	4369
50	3603
55	2986
60	2488
65	2083
70	1752
75	1481
80	1258
85	1072
90	917,7
95	788,5
100	680,0

Tab. 3

7 Protección del medio ambiente y eliminación de residuos

La protección del medio ambiente es uno de los principios empresariales del grupo Bosch.

La calidad de los productos, la productividad y la protección del medio ambiente representan para nosotros objetivos del mismo nivel. Las leyes y los reglamentos para la protección del medio ambiente son respetados de forma estricta.

Para la protección del medio ambiente utilizamos la mejor técnica y los mejores materiales posibles considerando los puntos de vista económicos.

Tipo de embalaje

En el embalaje seguimos los sistemas de reciclaje específicos de cada país, ofreciendo un óptimo reciclado.

Todos los materiales de embalaje utilizados son compatibles con el medio ambiente y recuperables.

Aparatos usados

Los aparatos viejos contienen materiales que pueden volver a utilizarse.

Los materiales son fáciles de separar y los plásticos se encuentran señalados. Los materiales plásticos están señalizados. Así pueden clasificarse los diferentes grupos de construcción y llevarse a reciclar o ser eliminados.

Aparatos usados eléctricos y electrónicos



Este símbolo significa que el producto no debe ser eliminado con otros desperdicios, sino que debe ser llevado a puntos limpios para el tratamiento, la recopilación, el reciclaje y la eliminación.

El símbolo vale para países con directivas de desperdicios electrónicos, p.ej. "Directiva europea 2012/19/CE acerca de aparatos eléctricos y electrónicos usados". Estas directivas fijan las condiciones marginales, válidas para la devolución y el reciclaje de aparatos electrónicos usados en diferentes países.

Debido a que aparatos electrónicos contienen materiales nocivos, necesitan ser reciclados de manera responsable para minimizar posibles peligros para la salud humana. Adicionalmente, el reciclaje de desperdicios electrónicos, ayuda a cuidar los recursos naturales.

Para informaciones adicionales acerca de la eliminación de residuos respetuosa con el medio ambiente de aparatos eléctricos y electrónicos usados, contactar a las autoridades locales respectivas, a su empresa de eliminación de residuos o al vendedor al que le compró el producto.

Informaciones adicionales constan en:

www.weee.bosch-thermotechnology.com/

Índice

1	Esclarecimento dos símbolos e indicações de segurança	61
1.1	Esclarecimento dos símbolos	61
1.2	Medidas de segurança	61

2	Informações sobre o produto	62
2.1	Utilização conforme as disposições	62
2.2	Equipamento fornecido	62

3	Instalação	62
3.1	Fixar a caixa à bomba de calor	62
3.2	Ligação do cabo de comunicação com o aparelho	63
3.3	Ligações das sondas na caixa	63
3.4	Ligações “Bomba de calor – Sistema solar”	64
3.5	Ligações “Bomba de calor – Caldeira”	65
3.6	Ligações “Bomba de calor – Fotovoltaico”	66

4	Programação	67
4.1	Sistema auxiliar direto – solar ou caldeira	67
4.1.1	Definir o sistema de apoio	68
4.1.2	Definir parâmetros de funcionamento do sistema de apoio	69
4.2	Sistema auxiliar fotovoltaico	69
4.2.1	Ativar o sistema de apoio fotovoltaico	70
4.2.2	Definir parâmetros de funcionamento do sistema de apoio	70

5	Display	73
5.1	Avárias indicadas no display	73


6	Caraterística de temperatura do sensor NTC 10K	73
----------	---	-----------

7	Proteção ambiental e eliminação	74
----------	--	-----------

1 Esclarecimento dos símbolos e indicações de segurança

1.1 Esclarecimento dos símbolos

Indicações de aviso




As indicações de aviso no texto são identificadas com um triângulo de aviso. Adicionalmente, as palavras identificativas indicam o tipo e a gravidade das consequências se as medidas de prevenção do perigo não forem respeitadas.

As seguintes palavras identificativas estão definidas e podem estar utilizadas no presente documento:

- **INDICAÇÃO** significa que podem ocorrer danos materiais.
- **CUIDADO** significa que podem provocar lesões ligeiras a médias.
- **AVISO** significa que podem provocar lesões graves ou mortais.
- **PERIGO** significa que podem provocar lesões graves a mortais.

Informações importantes



As informações importantes sem perigo para pessoas ou bens são assinaladas com o símbolo ao lado.

Outros símbolos

Símbolo	Significado
▶	Passo operacional
→	Referência num outro ponto no documento
•	Enumeração/Item de uma lista
–	Enumeração/Item de uma lista (2.º nível)

Tab. 1

1.2 Medidas de segurança

Instalação e colocação em funcionamento

- ▶ Respeitar a documentação técnica do aparelho e do acessório para garantir um funcionamento perfeito.
- ▶ A instalação só deverá ser efetuada por um serviço de assistência da marca.

Perigo de morte devido a corrente elétrica

- ▶ Assegurar que apenas uma empresa especializada e certificada efetua os trabalhos elétricos.
- ▶ Executar os trabalhos em instalações elétricas de acordo com as disposições vigentes.

Informação a dar ao cliente

- ▶ O instalador deve informar o cliente sobre o funcionamento do aparelho e instruí-lo quanto ao seu manuseamento.
- ▶ Chamar a atenção do cliente para o facto de que a alteração ou manutenção no aparelho apenas deve ser realizada por pessoal especializado e credenciado.

Peças de substituição

- ▶ Utilizar apenas peças de substituição originais.

Segurança de aparelhos com ligação elétrica para utilização doméstica e fins semelhantes

Para evitar perigos devido a aparelhos elétricos são válidas, de acordo com EN 60335-1, as seguintes especificações:

“Este aparelho pode ser utilizado por criança a partir dos 8 anos e mais, assim como por pessoas com capacidades físicas, sensoriais ou mentais limitadas ou falta de experiência e conhecimentos, caso sejam monitorizadas ou tenham recebido instruções acerca de como utilizar o aparelho de forma segura e compreendam os perigos daí resultantes. As crianças não podem brincar com o aparelho. A limpeza e a manutenção pelo utilizador não podem ser efetuadas por crianças sem monitorização.”

“Caso o cabo de ligação à rede seja danificado deve ser substituído pelo fabricante, pelo seu serviço de apoio ao cliente ou uma pessoa com qualificação idêntica, para evitar perigos.”

2 Informações sobre o produto

2.1 Utilização conforme as disposições

O acessório para compatibilidade com sistemas auxiliares permite que o sistema faça uma gestão eficiente das fontes de energia instaladas, assegurando o aquecimento da água pela fonte mais eficiente com menor custo.

O acessório permite fazer a gestão de uma fonte de energia direta, como por exemplo, solar térmico, caldeira ou outros, e uma fonte de energia indireta, isto é, energia solar fotovoltaica.

- ▶ Utilizar o aparelho de forma correta.
- ▶ Para a instalação e funcionamento, ter em consideração os regulamentos e normas nacionais.

2.2 Equipamento fornecido

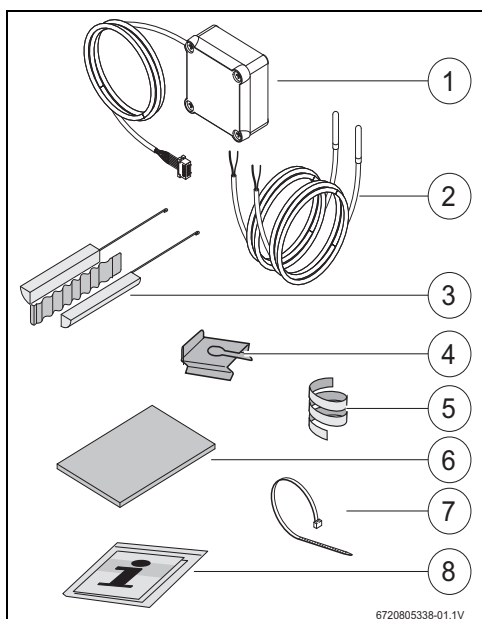


Fig. 1 7736503876: Posição 1 e 8
7736503877: Posição 1 a 8

- [1] Caixa e cabo de comunicação à bomba de calor
- [2] Sensores de temperatura NTC (2x)
- [3] Conjunto de fixação sensor NTC
- [4] Clip de fixação
- [5] Espiral plástica (fixação sensor NTC)
- [6] Isolamento térmico
- [7] Abraçadeira de fixação (3x)
- [8] Documentação técnica

3 Instalação



A instalação do aparelho, a ligação à rede elétrica, sistemas de evacuação/admissão e arranque só podem ser efetuados por um serviço de assistência da marca.



PERIGO: Descarga elétrica!

- ▶ Antes de trabalhar na parte elétrica, cortar sempre a alimentação elétrica ao aparelho através do fusível, disjuntor, ou outro dispositivo de protecção central.



PERIGO: Descarga elétrica!

- O condensador elétrico do aparelho deve descarregar depois do aparelho desligado.
- ▶ Esperar pelo menos 5 minutos.



PERIGO: Descarga elétrica!

- Se o cabo de ligação estiver danificado, somente um serviço de assistência da marca deve proceder à sua substituição por forma a garantir todos os requisitos de segurança.

3.1 Fixar a caixa à bomba de calor

- ▶ Colar a caixa de ligação à bomba de calor entre as etiquetas e as ligações hidráulicas, utilizando a fita fixadora fornecida com a caixa.
- O cabo de comunicação deverá ficar voltado para cima.

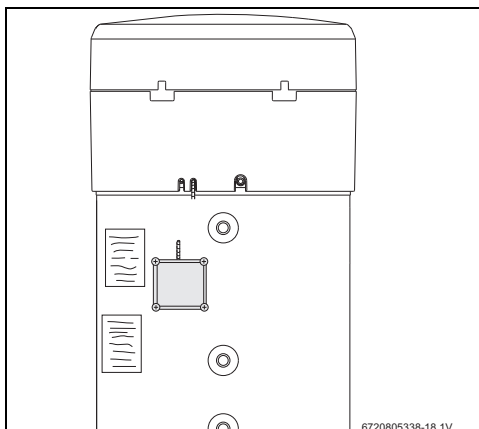


Fig. 2

3.2 Ligação do cabo de comunicação com o aparelho

- ▶ Retirar a tampa superior e o anel inferior do aparelho.
- ▶ Passar o cabo de comunicação pela ranhura junto ao cabo de alimentação do aparelho.
- ▶ Fixar o cabo a todo o comprimento da ranhura.

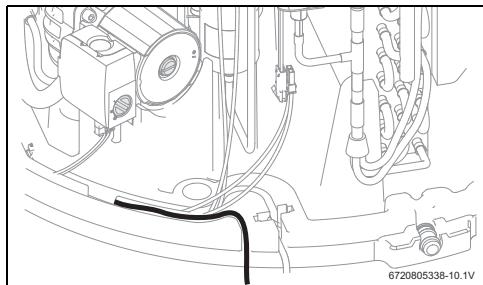


Fig. 3

- ▶ Ligar o cabo de comunicação à caixa eletrónica do aparelho.

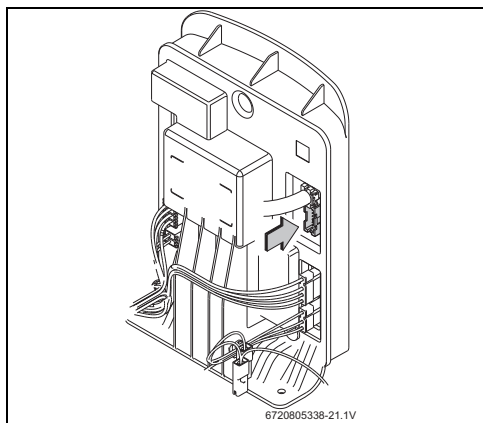


Fig. 4

3.3 Ligações das sondas na caixa

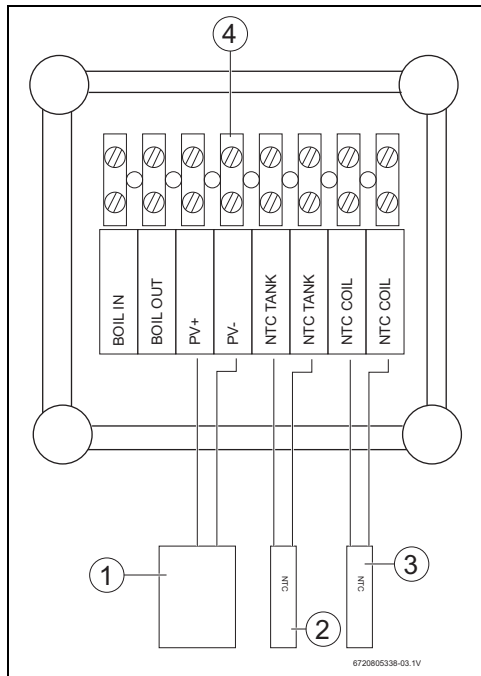


Fig. 5

- [1] Contacto ON/OFF do inversor fotovoltaico
- [2] Sensor de temperatura NTC (bainha no meio do tanque)
- [3] Sensor de temperatura NTC (entrada da serpentina de apoio)
- [4] Barra de ligações elétricas na caixa

3.4 Ligações “Bomba de calor – Sistema solar”

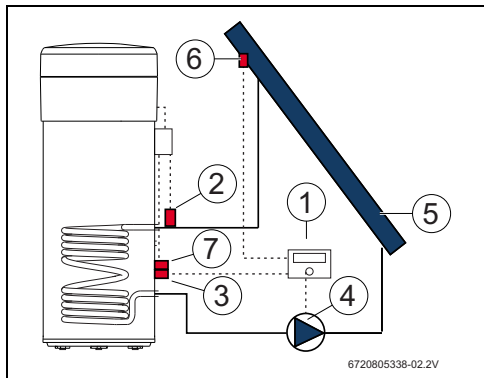


Fig. 6

- [1] Controlador solar
- [2] Sensor de temperatura NTC (NTC COIL – serpentina)
- [3] Sensor de temperatura NTC do controlador solar (meio do tanque)
- [4] Bomba de circulação
- [5] Coletor solar
- [6] Sensor de temperatura NTC do coletor solar
- [7] Sensor de temperatura NTC (NTC TANK – meio do tanque)

Ligação do sensor de temperatura ao meio do tanque



Assegurar o correto contato entre o sensor de temperatura e o tanque.

- ▶ Assegurar que o sensor se encontra bem posicionado na bacia de forma a garantir a correta medição de temperatura.

- ▶ Montar o conjunto de fixação [1], o sensor NTC do acessório [2] e o sensor NTC do controlador [3] e posicionar o conjunto de acordo com a Fig. 7.
- ▶ Empurrar os sensores até ao fundo da bacia.
- ▶ Fixar o conjunto com a abraçadeira fornecida.
- ▶ Colocar o clip de fixação [4].
- ▶ Ligar os terminais do sensor NTC na caixa de ligação, terminais “NTC TANK”.

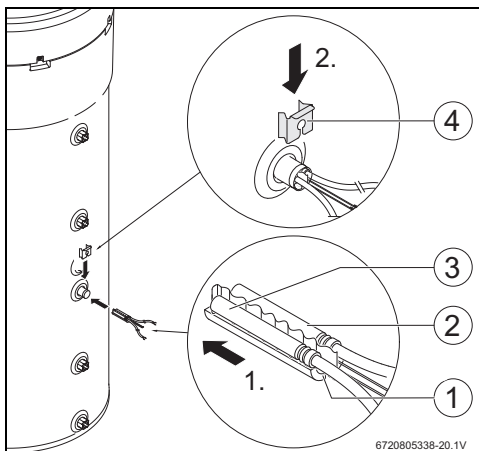


Fig. 7

Ligação do sensor de temperatura à serpentina



Assegurar o correto contato entre o sensor de temperatura e a serpentina.

- ▶ Isolar termicamente o sensor de forma a garantir a correta medição de temperatura do fluido à entrada da serpentina.

- ▶ Colocar o sensor NTC do acessório [1] conforme indicado na Fig. 8.
- ▶ Fixar o sensor NTC ao tubo de água com a espiral plástica fornecida [2].
- ▶ Colocar o isolamento [3] em volta do sensor.
- ▶ Fixar o isolamento com as 2 abraçadeiras [4] fornecidas.
- ▶ Ligar os terminais do sensor NTC na caixa de ligação, terminais “NTC COIL”.

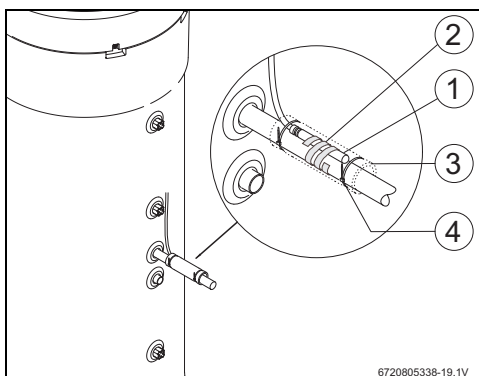


Fig. 8

3.5 Ligações “Bomba de calor – Caldeira”



Ligação apenas possível para caldeiras de aquecimento de águas por acumulação.



É necessário um cabo com dois fios (material não fornecido) para efetuar este tipo de ligação.

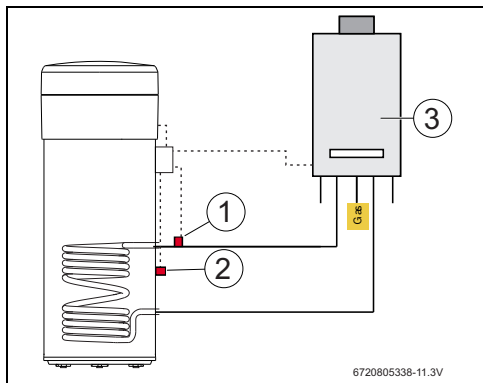


Fig. 9

- [1] Sensor de temperatura NTC (serpentina)
- [2] Sensor de temperatura NTC (meio do tanque)
- [3] Caldeira

Ligação do sensor NTC da caldeira

- ▶ Desligar a sonda NTC do tanque da caldeira [1].
- ▶ Ligar, nos mesmos terminais da sonda NTC do tanque da caldeira, os dois fios do cabo adicional [2].
- ▶ Ligar a outra extremidade de um dos fios do cabo adicional ao terminal “BOIL OUT” da caixa de ligação.
- ▶ Ligar a outra extremidade de um dos fios do cabo adicional ao terminal “BOIL IN” da caixa de ligação.

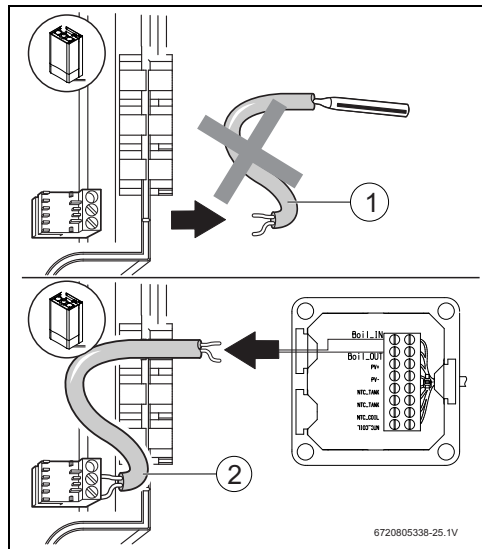


Fig. 10

Ligação do sensor de temperatura ao meio do tanque



Assegurar o correto contato entre o sensor de temperatura e o tanque.

- ▶ Assegurar que o sensor se encontra bem posicionado na bacia de forma a garantir a correta medição de temperatura.

- ▶ Montar o conjunto de fixação [1], o sensor NTC do acessório [2] e posicionar o conjunto de acordo com a Fig. 11.
- ▶ Empurrar os sensores até ao fundo da bacia.
- ▶ Fixar o conjunto com a abraçadeira fornecida.
- ▶ Colocar o clip de fixação [3].
- ▶ Ligar os terminais do sensor NTC na caixa de ligação, terminais "NTC TANK".

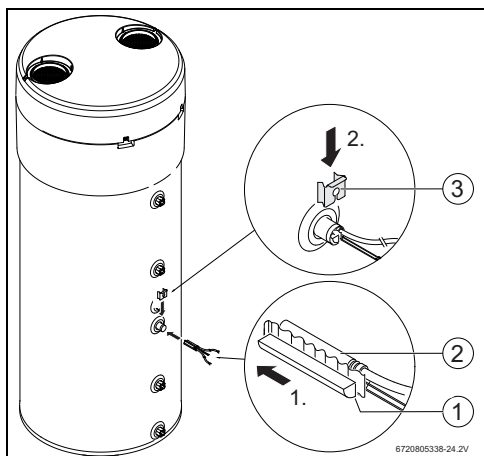


Fig. 11

Ligação do sensor de temperatura à serpentina



Assegurar o correto contato entre o sensor de temperatura e a serpentina.

- ▶ Isolar termicamente o sensor de forma a garantir a correta medição de temperatura do fluido à entrada da serpentina.

- ▶ Colocar o sensor NTC do acessório [1] conforme indicado na Fig. 12.
- ▶ Fixar o sensor NTC ao tubo de água com a espiral plástica fornecida [2].
- ▶ Colocar o isolamento [3] em volta do sensor.
- ▶ Fixar o isolamento com as 2 abraçadeiras [4] fornecidas.
- ▶ Ligar os terminais do sensor NTC na caixa de ligação, terminais "NTC COIL".

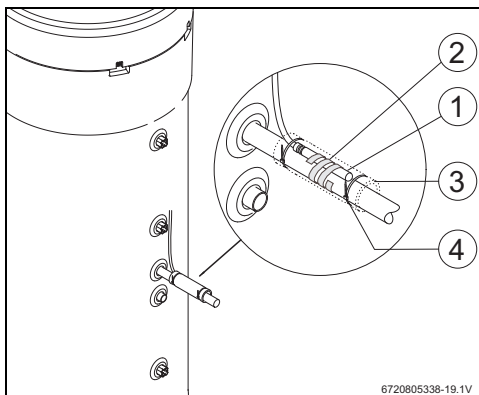


Fig. 12

3.6 Ligações “Bomba de calor - Fotovoltaico”

- ▶ Ligar um dos cabos na caixa de ligação no terminal “PV+”.
- ▶ Ligar um dos cabos na caixa de ligação no terminal “PV-”.

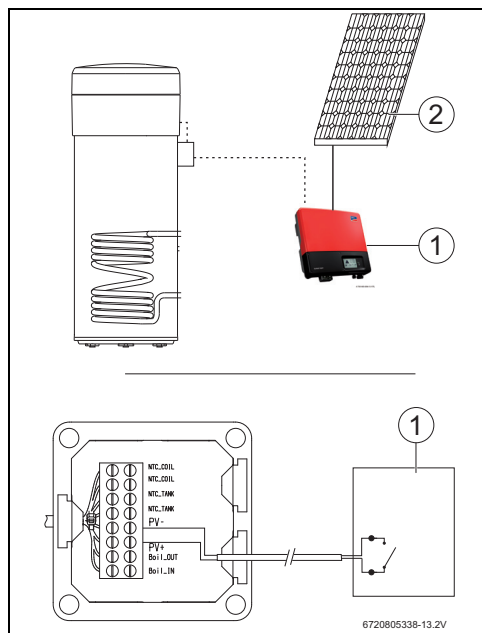


Fig. 13

- [1] Inversor
- [2] Coletor fotovoltaico

4 Programação



Respeitar a documentação da bomba de calor.

Entrar no menu "Set" – ajustes

- ▶ Pressionar a tecla "menu" não excedendo os 3 segundos.

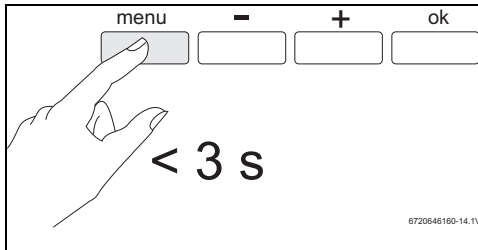


Fig. 14

- ▶ Utilizar as teclas "+" ou "-" para aceder ao submenu "Set".

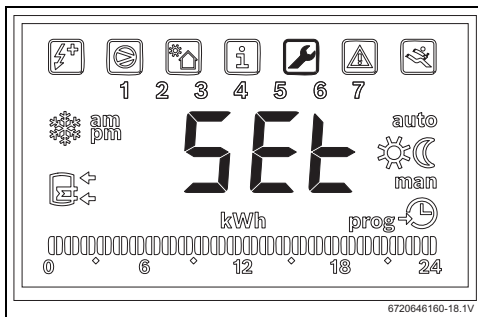


Fig. 15 Submenu "Set"

- ▶ Pressionar "ok".
Encontra-se dentro do submenu "Set – Ajustes".

4.1 Sistema auxiliar direto – solar ou caldeira

Somente é possível definir um sistema auxiliar direto de apoio.

No caso de serem selecionados dois sistemas auxiliares de apoio, apenas o último dos sistemas selecionados fica ativo.

Sistema de apoio: solar "Sol"

Com a ativação do sistema de apoio solar, sempre que exista energia solar disponível o sistema dará prioridade ao sistema de apoio solar em detrimento da bomba de calor e de acordo com os parâmetros definidos para o "delt" e "Tmin".

A potência de aquecimento solar disponível está diretamente ligada com a diferença de temperatura entre a serpentina e a água no tanque. Quanto mais elevada for a temperatura da serpentina em relação à água no tanque maior é a potência de aquecimento solar disponível. Por outro lado, quanto maior for a potência de aquecimento disponível, menor será o tempo de aquecimento.

Desta forma o parâmetro "delt" permite definir o limite de potência disponível mínimo abaixo do qual o utilizador considera que os tempos de aquecimento já não são aceitáveis e por isso o ciclo de refrigeração da bomba de calor deve ser utilizado em conjunto com sistema de apoio solar.

Valores de "delt" maiores significam que a bomba de calor será ativada mais recorrentemente para garantir maior potência disponível e consequentemente um aquecimento de água mais rápido. Valores de "delt" menores significam que a bomba de calor entrará em funcionamento apenas quando praticamente não existe energia solar disponível e, portanto, garantem uma maior economia, mas podem implicar maiores tempos de aquecimento.

Se a temperatura da serpentina for inferior à temperatura da água no tanque, isso significa que não existe energia solar disponível.

O parâmetro "Tmin" permite definir a temperatura da água do tanque abaixo da qual o aparelho entrará em funcionamento (ciclo de refrigeração ou resistência elétrica de apoio, dependendo das condições e parametrização) independentemente da potência de aquecimento solar disponível (definida através do parâmetro "Tmin"). Ou seja, o parâmetro "Tmin" define a temperatura da água do tanque abaixo da qual o utilizador quer privilegiar o conforto minimizando o tempo de aquecimento em detrimento da economia obtida pela utilização do sistema de apoio solar. Existindo potência térmica solar disponível, o aquecimento da água far-se-á através do sistema solar em conjunto com o ciclo de refrigeração ou resistência elétrica de apoio.

Sistema de apoio: caldeira "Boil"

Com a ativação da caldeira como sistema de apoio "Boil", sempre que seja necessário usar resistência eléctrica de apoio o sistema ativa a caldeira, desde que exista potência térmica disponível da mesma.

À semelhança do sistema de apoio solar, o parâmetro "delt" permite definir o limite de potência disponível mínimo abaixo do qual o utilizador considera que os tempos de aquecimento já não são aceitáveis e por isso a resistência eléctrica de apoio deve ser utilizada em conjunto com a caldeira.

Valores de "delt" maiores significam que a resistência eléctrica de apoio será ativada mais recorrentemente para garantir maior potência disponível e conseqüentemente um aquecimento de água mais rápido. Valores de "delt" menores significam que a resistência eléctrica de apoio entrará em funcionamento apenas quando a caldeira praticamente não tem potência térmica disponível podendo originar maiores tempos de aquecimento.

Também à semelhança do sistema de apoio solar, quando o sistema de apoio definido é a caldeira, o parâmetro "Tmin" permite definir a temperatura da água do tanque abaixo da qual o aparelho entrará em funcionamento (ciclo de refrigeração ou resistência eléctrica de apoio, dependendo das condições e parametrização) independentemente da potência de aquecimento da caldeira (definida através do parâmetro "Tmin"). Uma vez que a caldeira substitui a resistência eléctrica de apoio, o Tmin só terá um resultado prático quando a resistência eléctrica tem condições de operação (exemplo: Modo "Elec", temperatura da água acima de 60°C, etc.). Nessas situações, quando a temperatura da água desce abaixo do "Tmin" e existindo potência térmica disponível da caldeira, a resistência eléctrica funciona em conjunto com a caldeira.

4.1.1 Definir o sistema de apoio

- ▶ Utilizar as teclas "+" ou "-" para aceder ao menu "Coil".

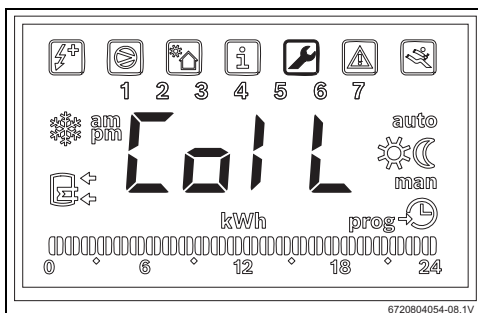


Fig. 16 Submenu "Coil"

- ▶ Pressionar "ok".
Display com indicação "Type".
Encontra-se no submenu que permite definir a existência ou não de um sistema auxiliar direto (solar ou caldeira) e os respetivos parâmetros de funcionamento.

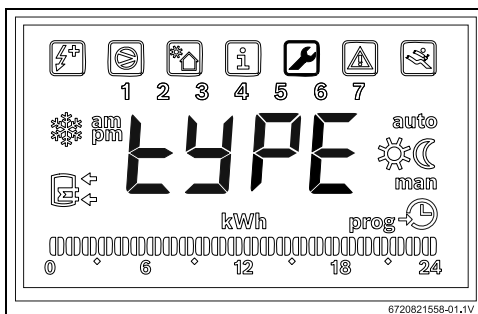


Fig. 17 Submenu "Type"

- ▶ Pressionar "ok".
- ▶ Utilizar as teclas "+" ou "-" e seleccionar "OFF", "Sol" ou "Boil" dependendo do tipo e da utilização ou não de um sistema de apoio:
 - solar "Sol"
 - caldeira "Boil"
- ▶ Pressionar "ok".
Sistema de apoio seleccionado.

4.1.2 Definir parâmetros de funcionamento do sistema de apoio

“delt” - definição do diferencial de temperatura para o qual a bomba de calor (System Sol) ou a resistência elétrica (System boil) é ativada

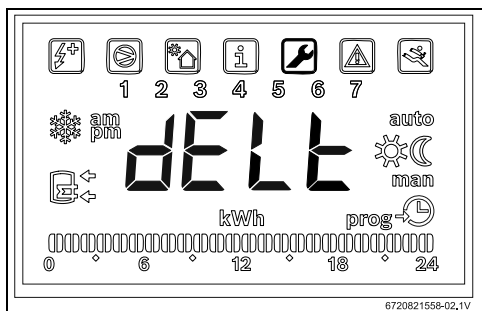


Fig. 18 Submenu “delt”

Este parâmetro define a diferença de temperatura entre o sensor da serpentina e a temperatura no tanque que levará à ativação da bomba ou da resistência elétrica ($T = T_{\text{Tanque}} - T_{\text{Tubo}}$). Este valor pode ser definido entre 2 e 10 °C (ajuste de fábrica 6 °C):

- ▶ Aceder ao menu “Coil”.
- ▶ Pressionar “ok”.
- ▶ Utilizar as teclas “+” ou “-” e selecionar “delt”.
- ▶ Pressionar “ok”.
- ▶ Utilizar as teclas “+” ou “-” para definir o valor.
- ▶ Pressionar “ok”.

O valor desejado está agora definido.

“tMin” - Definir valor mínimo de temperatura de água no tanque para arranque da bomba de calor

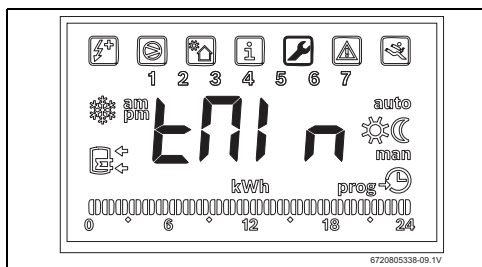


Fig. 19 Submenu “tmin”

Este parâmetro define o valor de temperatura da água do tanque abaixo do qual a bomba de calor é ativada, quando o sistema de apoio selecionado é o solar.

Este valor pode ser definido entre 20 e “T_{set} - 3 °C” (ajuste de fábrica 35 °C).

- ▶ Aceder ao menu “Coil”.
 - ▶ Pressionar “ok”.
 - ▶ Utilizar as teclas “+” ou “-” e selecionar “tmin”.
 - ▶ Pressionar “ok”.
 - ▶ Utilizar as teclas “+” ou “-” para definir o valor.
 - ▶ Pressionar “ok”.
- O valor desejado está agora definido.

i Sempre que o aparelho detetar o funcionamento do sistema de apoio auxiliar (solar, caldeira ou fotovoltaico) o display mostra de forma intermitente a indicação “Syst”.

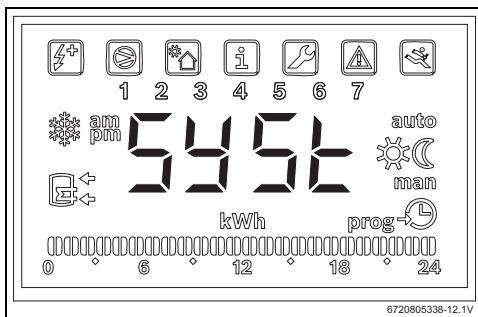


Fig. 20 Sistema auxiliar ativo

4.2 Sistema auxiliar fotovoltaico

Esta funcionalidade permite maximizar as poupanças de energia elétrica através do aproveitamento da energia produzida por painéis fotovoltaicos sempre que esta esteja disponível. Para isso, o aparelho permite alargar as condições de operação de acordo com o parâmetro “tMA” sempre que existir energia fotovoltaica disponível.

4.2.1 Ativar o sistema de apoio fotovoltaico

- ▶ Utilizar as teclas “+” ou “-” para aceder ao submenu “PHot”.

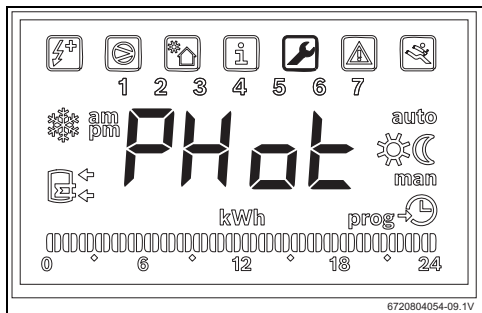


Fig. 21 Submenu “Phot”

- ▶ Pressionar “ok”.
- ▶ Display com indicação “Stat”.

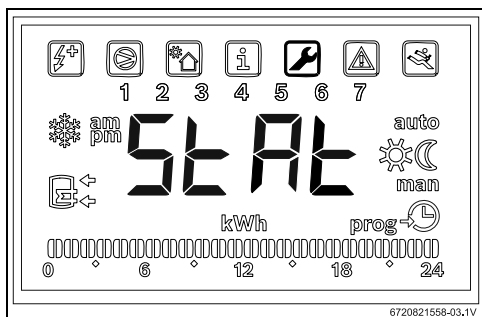


Fig. 22 Submenu “Stat”

- ▶ Pressionar “ok”.
- ▶ Utilizar as teclas “+” ou “-” e seleccionar:
 - “ON”: ativar o sistema fotovoltaico
 - “OFF”: desativar o sistema fotovoltaico
- ▶ Pressionar “ok”.
- ▶ O valor desejado está agora definido.

4.2.2 Definir parâmetros de funcionamento do sistema de apoio

“Cont” – Definir tipo de inversor do equipamento de apoio

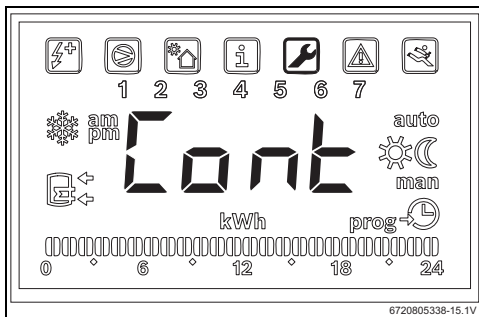


Fig. 23 Submenu “Cont”

Este parâmetro permite definir qual o tipo de inversor do equipamento de apoio.

- ▶ Aceder ao menu “Phot”.
- ▶ Pressionar “ok”.
- ▶ Utilizar as teclas “+” ou “-” e seleccionar “Cont”.
- ▶ Pressionar “ok”.
- ▶ Utilizar as teclas “+” ou “-” e seleccionar “NO” ou “NC” dependendo do tipo de inversor da instalação fotovoltaica.
 - “NO”: inversor de contato normalmente aberto
 - “NC”: inversor de contato normalmente fechado
- ▶ Pressionar “ok”.
- ▶ Encontra-se definido o tipo de inversor.

“Prio” – Definir a prioridade em relação ao sistema de apoio à bomba de calor quando existe energia fotovoltaica disponível

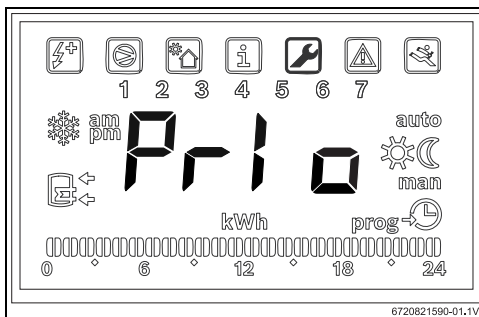


Fig. 24 Submenu “Prio”

Este parâmetro permite definir qual o sistema de apoio à bomba de calor tem prioridade quando existe produção de

energia fotovoltaica e a temperatura do ar e de água estão fora das condições de funcionamento do ciclo de refrigeração.

- ▶ Aceder ao menu **"Phot"**.
- ▶ Pressionar "ok".
- ▶ Utilizar as teclas "+" ou "-" e seleccionar **"Prio"**.
- ▶ Pressionar "ok".
- ▶ Utilizar as teclas "+" ou "-" e seleccionar **"Pe"** ou **"Pb"**.
 - **"Pe"**: uso prioritário da resistência eléctrica como sistema de apoio à bomba de calor quando existe energia fotovoltaica disponível.
 - **"Pb"**: uso prioritário da caldeira como sistema de apoio à bomba de calor mesmo que exista energia fotovoltaica disponível.
- ▶ Pressionar "ok".
Encontra-se definido o sistema prioritário.



Antes de seleccionar o uso prioritário da resistência eléctrica, garantir que a potência fotovoltaica instalada é suficiente para alimentar a resistência eléctrica. Verificar a potência nominal da resistência de apoio na chapa de características do aparelho e considerar um valor pelo menos 10% superior (tolerância típica). Ter em atenção ao rendimento da instalação fotovoltaica em diferentes condições e ao seu envelhecimento ao longo do tempo.

"tMin" – Definir valor mínimo de temperatura de água no tanque para arranque da bomba de calor

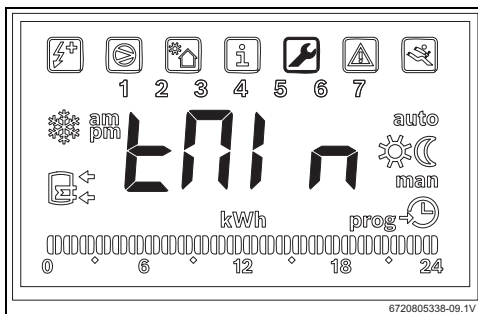


Fig. 25 Submenu "Tmin"

Este parâmetro define o valor de temperatura abaixo da qual o aparelho entra em funcionamento normal ignorando a não existência de produção fotovoltaica. Quando a temperatura da água desce abaixo do valor definido em **"Tmin"**, mesmo que não exista produção de energia fotovoltaica o aparelho entrará em operação se existirem condições de arranque e funcionará até à temperatura seleccionada em memória. Com este parâmetro o utilizador está a definir as condições de conforto mínimo

definindo a temperatura mínima que a água do tanque pode atingir enquanto o sistema aguarda pela produção de energia fotovoltaica.

Este valor pode ser definido entre 15 e 70 °C e deve ser sempre inferior ou igual à temperatura geral seleccionada.



Valores entre os 61 °C e os 70 °C pressupõem a ativação de um sistema de apoio auxiliar (caldeira ou resistência eléctrica) em substituição do ciclo de refrigeração. Por seu lado o uso da resistência eléctrica pressupõe a sua seleção como prioritária no submenu **"Prio"** e a existência de potência fotovoltaica instalada suficiente.

- ▶ Aceder ao menu **"Phot"**.
- ▶ Pressionar "ok".
- ▶ Utilizar as teclas "+" ou "-" e seleccionar **"Tmin"**.
- ▶ Pressionar "ok".
- ▶ Utilizar as teclas "+" ou "-" para definir o valor.
- ▶ Pressionar "ok".
O valor desejado está agora definido.

"tMA" – Definir valor máximo de temperatura de água no tanque até à qual o aparelho deverá funcionar enquanto existir produção fotovoltaica

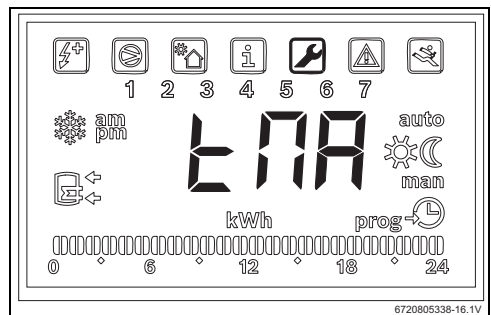


Fig. 26 Submenu "tMA"

Este parâmetro define o valor máximo de temperatura da água no tanque até à qual o aparelho utiliza a energia fotovoltaica. Com a função **"Phot"** ativa, o aparelho substitui o valor da temperatura seleccionada que está em memória por este valor. Desta forma, o aparelho entrará em funcionamento sempre que o valor da água do tanque descer abaixo da condição de arranque e existir produção de energia fotovoltaica. O parâmetro **"tMA"** pode ser definido entre 50 °C e 70 °C. Quanto maior for o valor maior será a economia que se pode obter através do sistema de produção fotovoltaico.



Valores de **"tMA"** mais elevados permitem armazenar maior volume de água quente enquanto existir produção fotovoltaica. Isto permite maximizar os tempos de espera até que exista nova produção fotovoltaica disponível, maximizando desta forma o aproveitamento económico dos painéis fotovoltaicos.



Valores acima de 60 °C só poderão ser garantidos através do uso de um sistema de apoio auxiliar (caldeira ou resistência eléctrica). O uso da resistência eléctrica pressupõe a sua seleção como prioritária no submenu **"Prio"** e a existência de potência fotovoltaica instalada suficiente.

- ▶ Aceder ao menu **"Phot"**.
 - ▶ Pressionar "ok".
 - ▶ Utilizar as teclas "+" ou "-" e seleccionar **"tMA"**.
 - ▶ Pressionar "ok".
 - ▶ Utilizar as teclas "+" ou "-" para definir o valor.
 - ▶ Pressionar "ok".
- Encontra-se definido o valor máximo de temperatura da água a ser atingido pelo aparelho na presença de produção fotovoltaica.

Funcionamento do sistema de apoio auxiliar



Sempre que um sistema de apoio auxiliar (solar, caldeira ou fotovoltaico) estiver a ser usado o display mostra de forma intermitente a indicação **"Syst"**.

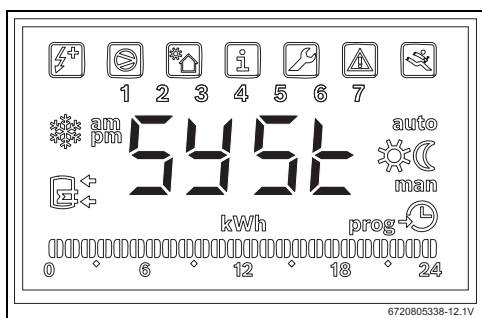


Fig. 27 Sistema de apoio auxiliar em operação

5 Display

5.1 Avarias indicadas no display

Display	Descrição	Solução
007	Sensor de temperatura NTC da serpentina avariado	► Chamar um técnico qualificado
008	Sensor de temperatura NTC do meio do tanque avariado	► Chamar um técnico qualificado

Tab. 2 Códigos de erros

6 Caraterística de temperatura do sensor NTC 10K

Temp. (°C)	R (Ω)
-30	177000
-25	130370
-20	97070
-15	72929
-10	55330
-5	42315
0	32650
5	25388
10	19900
15	15708
20	12490
25	10000
30	8057
35	6531
40	5327
45	4369
50	3603
55	2986
60	2488
65	2083
70	1752
75	1481
80	1258
85	1072
90	917,7
95	788,5
100	680,0

Tab. 3

7 Proteção ambiental e eliminação

Proteção do meio ambiente é um princípio empresarial do Grupo Bosch.

Qualidade dos produtos, rentabilidade e proteção do meio ambiente são objetivos com igual importância. As leis e decretos relativos à proteção do meio ambiente são seguidas à risca. Para a proteção do meio ambiente são empregados, sob considerações económicas, as mais avançadas técnicas e os melhores materiais.

Embalagem

No que diz respeito à embalagem, participamos nos sistemas de reciclagem vigentes no país, para assegurar uma reciclagem otimizada.

Todos os materiais de embalagem utilizados são ecológicos e recicláveis.

Aparelho usado

Aparelhos obsoletos contêm materiais que podem ser reutilizados.

Os módulos podem ser facilmente separados e os plásticos são identificados. Desta maneira, poderão ser separados em diferentes grupos e posteriormente enviados a uma reciclagem ou eliminados.

Aparelhos elétricos e eletrônicos em fim de vida



Este símbolo significa que o produto não pode ser eliminado com outros resíduos, mas tem de ser levado para os pontos de recolha de resíduos para tratamento, recolha, reciclagem e eliminação.

O símbolo é válido para países que possuem direti-vas relativas a resíduos eletrónicos, por ex., "Diretiva da União Europeia 2012/19/CE sobre aparelhos elétricos e eletrónicos em fim de vida". Estas disposições definem o quadro regula-mentador da diretiva válido para o retorno e reciclagem de apa-relhos eletrónicos usados em cada país.

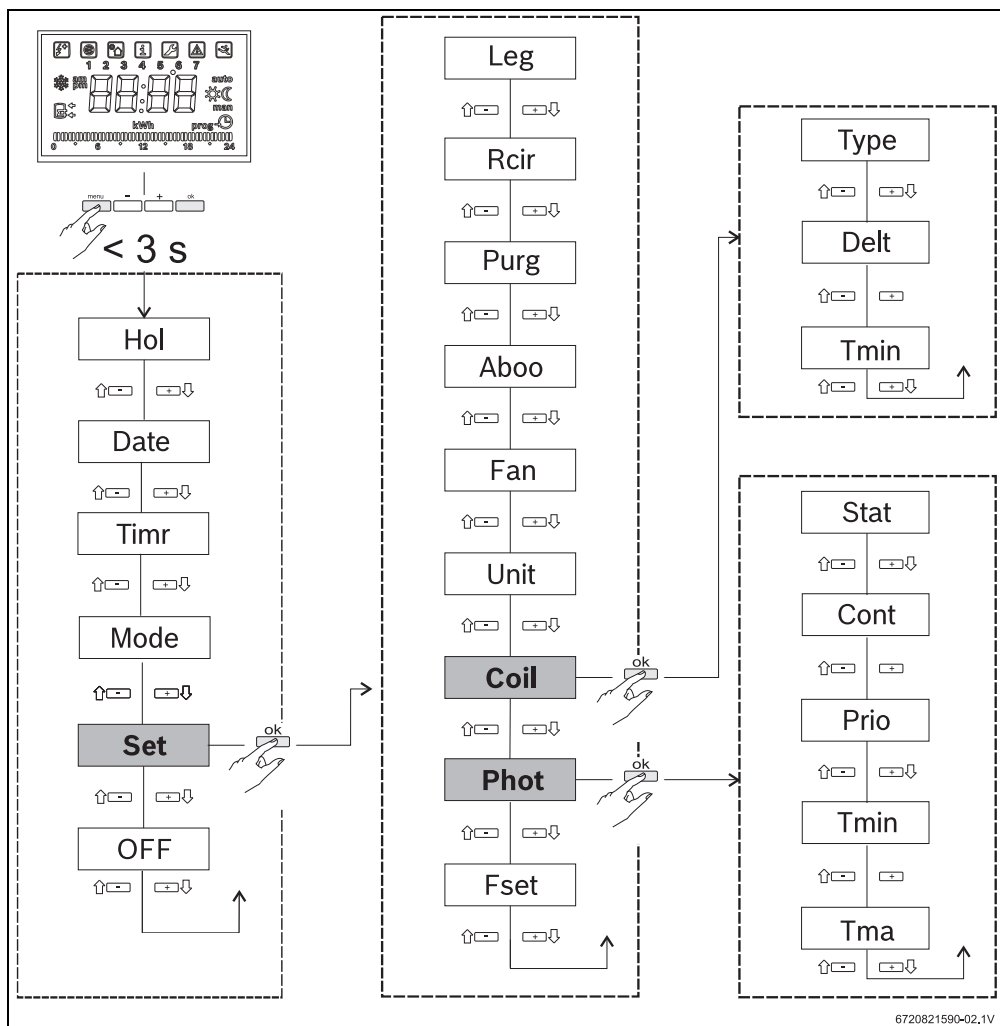
Os aparelhos eletrónicos que podem conter substâncias peri-gosas têm de ser reciclados de forma responsável para minimi-zar os possíveis danos ao meio ambiente e perigos para a saúde das pessoas. Para esse efeito, a reciclagem de resíduos ele-trónicos contribui para a preservação de recursos naturais.

Para obter mais informações sobre a eliminação ecologica-mente segura de aparelhos elétricos e eletrónicos usados, con-tacte as entidades responsáveis do local, a empresa de eliminação de resíduos ou distribuidor no qual comprou o pro-duto.

Pode encontrar mais informações aqui:

www.weee.bosch-thermotechnology.com/

Quickguide



6720821590-02,1V

Bosch Thermotechnik GmbH
Sophienstrasse 30-32
D-35576 Wetzlar

www.bosch-thermotechnology.com